

# BRIZO®

## **IMPORTANT DOCUMENTS ENCLOSED**

### **CAUTION:**

To reduce the risk of injury due to hot water burns, make sure the enclosed labels are applied where specified on the label.

---

## **DOCUMENTOS IMPORTANTES INCLUIDOS**

### **AVISO:**

Para reducir el riesgo de lesión por quemaduras de agua caliente, asegúrese que las etiquetas incluidas se han aplicado donde se ha especificado en la etiqueta.

---

## **DOCUMENTS IMPORTANTS À L'INTÉRIEUR**

### **MISE EN GARDE :**

Pour réduire le risque d'ébouillantage, veuillez apposer les étiquettes fournies aux endroits indiqués sur celles-ci.

**NOTICE TO INSTALLER:** Place this label on the water heater next to the temperature adjustment knob.

**WARNING:**

This series of tub/shower valves does not adjust automatically for changes in temperature at the hot water heater or inlet. If the temperature setting of the hot water heater or inlet is changed, the setting on these valves must be adjusted manually! Failure to re-adjust the valve may result in hot water burns or extreme cold resulting from variations in line pressure (such as when a dishwasher or washing machine is in use while you are taking a shower). After installation, verify that the temperature knob on the valve is set so that changes in line pressure or temperature do not result in uncomfortable water temperature changes. **If the temperature setting of the hot water heater or inlet is changed after installation of the valve, the setting of the temperature knob also must be changed!** Consult the installation instruction sheet for instructions on how to make this setting, or call us at 1-877-345-BRIZO.

**AVISO AL INSTALADOR:** Coloque esta etiqueta en el calentador de agua al lado de la perilla que ajusta la temperatura.

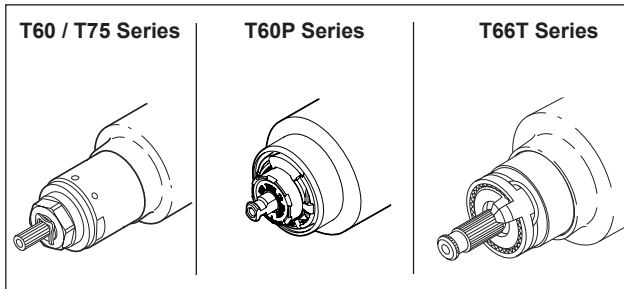
**AVISO:**

Esta serie de válvulas para bañeras/regaderas no se ajusta automáticamente a los cambios de temperatura en el calentador de agua o del agua de entrada. ¡Si el ajuste de temperatura del calentador del agua caliente o del agua de entrada, el ajuste en estas válvulas debe ajustarse manualmente! El no reajustar la válvula puede resultar en quemaduras por agua caliente o temperaturas de agua extremadamente frías resultando en variaciones de presión y temperatura (como cuando el fregador de platos o la lavadora están funcionando mientras que se baña). Después de la instalación, verifique que la perilla para el control de la temperatura en la válvula está ajustada para que cambios de presión y de temperatura en la línea no resulten en cambios de temperatura del agua incómodos. **Si el ajuste de la temperatura del calentador de agua o de la entrada de agua se cambia después de la instalación de la válvula, la perilla que ajuste ¡la temperatura también se debe cambiar!** Consulte con su hoja de instrucciones de instalación para saber como se ajusta o cambia el ajuste o llámenos al 1-877-345-BRIZO.

**AVIS À L'INSTALLATEUR :** Placez cette étiquette sur le chauffe-eau, près du bouton de réglage de température.

**AVERTISSEMENT:**

La soupape de robinet de baignoire ou de douche de cette série ne se règle pas automatiquement en fonction des changements de température de l'eau chaude au chauffe-eau ou de l'eau d'alimentation. En cas de modification du réglage de température du chauffe-eau ou de la température de l'eau d'alimentation, le réglage de ces soupapes doit être modifié manuellement! Si le réglage de la soupape n'est pas modifié, le robinet pourra permettre l'écoulement d'eau très chaude susceptible de causer l'ébouillantage ou d'eau très froide, sous l'effet des variations de pression et de température dans la tuyauterie d'alimentation (lorsque la douche est utilisée en même temps que le lave-vaisselle ou la machine à laver, par exemple). Après l'installation, assurez-vous que le bouton de température sur la soupape est réglé de manière que les fluctuations de pression et de température dans la tuyauterie d'alimentation n'entraînent pas de changements de température de l'eau inconfortables. **En cas de modification du réglage de température du chauffe-eau ou de la température de l'eau d'alimentation après l'installation de la soupape, le réglage du bouton de température doit être modifié!** Pour régler le bouton de température, consultez la feuille d'instructions d'installation ou appelez-nous au 1-877-345-BRIZO.



**BRIZO®**

**NOTICE TO INSTALLER:** Place this label close to the valve where the owner will see it, such as inside the door of a cabinet or vanity.

**WARNING:**

Water temperature changes due to seasonal or other inlet variations, such as changing the setting on the hot water heater may require adjustment of the temperature knob on your tub/shower valve to ensure a safe maximum temperature. This valve series does not automatically adjust for inlet temperature changes. If changes occur and you are not sure how to make the necessary temperature knob adjustments, please consult the installation instruction sheet provided with this valve or call 1-877-345-BRIZO. This valve is designed to reduce the risk of injury due to inlet pressure or temperature changes, commonly caused by dishwashers, washing machines, toilets and the like. It may not provide protection from hot water burns when there is a failure of other temperature controlling devices elsewhere in the plumbing system. After making the necessary adjustments please fill in the information below. This valve/system has been set by the person listed below to help ensure a safe maximum temperature. Any change in the setting may raise the temperature of the water coming out of the shower or bath above the limit considered safe and could lead to hot water burns. If this label has not been completed, you should verify that the temperature knob has been properly adjusted to suit your individual installation. The installation instruction sheet supplied with the valve provides information on how to make this setting.

**AVISO AL INSTALADOR:** Coloque esta etiqueta cerca de la válvula donde el propietario la pueda ver, tal como dentro de la puerta del gabinete o el tocador.

**AVISO:**

Los cambios de temperatura del agua por variaciones estacionales u otras variaciones en el agua de entrada, como cambiando el ajuste en el calentador de agua pueden requerir el ajuste de la perilla para el control de la temperatura de su unidad bañera/regadera para ayudar a asegurar una temperatura máxima segura. Este válvulas no se ajusta automáticamente a cambios de temperatura en el agua de admisión. Si los cambios ocurren y usted no está seguro como hacer los ajustes necesarios con la perilla para controlar la temperatura, por favor consulte la hoja de instrucciones de instalación proporcionada con esta válvula o llámenos al 1-877-345-BRIZO. Esta válvula está diseñada para reducir el riesgo de lesión por cambios de temperatura del agua que entra o por los cambios de presión del agua que comúnmente son causados por los usos simultáneos de fregadoras de platos, lavadoras, sanitarios y aparatos similares. Puede no proporcionar protección de quemaduras por el agua caliente cuando hay una falla de otros mecanismos que controlan la temperatura del agua en otro sitio del sistema de plomería. Después de hacer los ajustes necesarios, por favor escriba la información a continuación. Esta válvula/sistema ha sido ajustada por la persona indicada a continuación para ayudar a asegurar una temperatura máxima segura. Cualquier cambio al ajuste puede aumentar la temperatura del agua que sale de la ducha o el baño sobre el límite considerado seguro y puede resultar en quemaduras por el agua caliente. Si esta etiqueta no se a llenado, debe verificar si la perilla para el control de la temperatura hay sido correctamente ajustada para al gusto de su instalación individual. La hoja de instrucciones de instalación proporcionada con las válvulas le suministra información sobre como hacer esto.

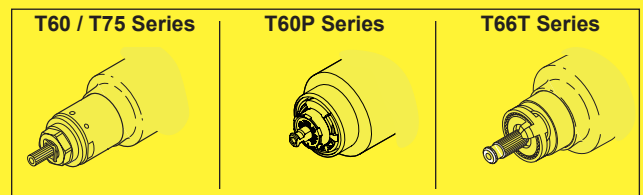
**AVIS À L'INSTALLATEUR :** Placez cette étiquette près de la soupape à un endroit où le propriétaire pourra la voir, du côté intérieur de la porte de l'armoire ou du meuble par exemple.

**AVERTISSEMENT:**

La température de l'eau peut varier en raison des changements de saison, d'une modification du réglage du chauffe-eau ou d'autres changements. Par conséquent, un réglage du bouton de température de votre soupape de douche ou de baignoire peut s'imposer pour que la température maximale de l'eau demeure sécuritaire. Les soupapes de cette série ne s'ajustent pas automatiquement aux changements de température de l'eau d'alimentation. Si des changements vous obligent à régler le bouton de température et vous n'êtes pas certain de la marche à suivre, veuillez consulter le feuillet d'instructions fourni avec la soupape ou appeler au 1-877-345-BRIZO. Cette soupape est conçue pour réduire les risques de blessures causées par des changements de la température ou de la pression de l'eau d'alimentation habituellement causés par le lave-vaisselle, la machine à laver, une toilette ou un autre appareil qui consomme de l'eau. Elle peut ne pas assurer de protection contre l'ébouillantage en cas de défectuosité d'un autre dispositif de régulation de la température dans la tuyauterie. Après avoir effectué le réglage nécessaire, veuillez inscrire l'information requise ci-dessous. La personne dont le nom figure ci-dessous a réglé cette soupape pour qu'elle puisse maintenir une température maximale sécuritaire. Toute modification du réglage peut entraîner une élévation de la température de l'eau s'écoulant par la douche ou dans la baignoire au delà de la limite considérée sécuritaire, ce qui pourrait causer un ébouillantage. Si cette étiquette n'a pas été remplie, vous devriez vous assurer que le bouton de température a été réglé en fonction des caractéristiques de votre installation. Le feuillet d'instruction fourni avec la soupape indique la marche à suivre pour effectuer le réglage.

**TO BE FILLED OUT BY THE INSTALLER / PARA SER LLENADO POR EL INSTALADOR / A REMPLIR PAR L'INSTALLATEUR:**

BY/POR/PAR \_\_\_\_\_ COMPANY/COMPANIA/COMPAGNIE \_\_\_\_\_  
DATE/FECHA/LE \_\_\_\_\_ PHONE/TELÉFONO/TELÉPHONE \_\_\_\_\_

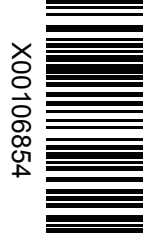


**BRIZO®**

T66T0 \_\_\_\_\_

Register Online  
[www.brizo.com/customer-support/product-registration](http://www.brizo.com/customer-support/product-registration)

To reference replacement parts and access additional technical documents and product info, visit [www.brizo.com](http://www.brizo.com)



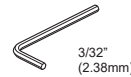
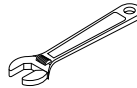
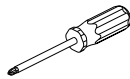
1-877-345-BRIZO (2749)  
[www.brizo.com/customer-support](http://www.brizo.com/customer-support)

### Read all instructions prior to installation.

#### **CAUTION**

Failure to read these instructions prior to installation may result in personal injury, property damage, or product failure. Manufacturer assumes no responsibility for product failure due to improper installation.

You may need:



**CAUTION:** This system/device must be set by the installer to ensure safe, maximum temperature. Any change in the setting may raise the discharge temperature above the limit considered safe and may lead to hot water burns.

**NOTICE TO INSTALLER: CAUTION!**—As the installer of this valve, it is your responsibility to properly **INSTALL** and **ADJUST** this valve per the instructions given. This valve does not automatically adjust for inlet temperature changes, therefore, someone must make the necessary temperature knob adjustments at the time of installation and further adjustments may be necessary due to seasonal water temperature change. **YOU MUST** inform the owner/user of this requirement by following the instructions. If you or the owner/user are unsure how to properly make these adjustments, please refer to page 4 and if still uncertain, call us at 1-877-345-BRIZO (2749).

After installation and adjustment, you must affix your name, company name and the date you adjusted the temperature knob to the caution label

provided and apply or attach the label to the back side of the closest cabinet door and the warning label to the water heater. **Leave this Instruction Sheet for the owner's/user's reference.**

**WARNING:** This thermostatic bath valve is designed to minimize the effects of outlet water temperature changes due to inlet pressure and temperature changes, commonly caused by dishwashers, washing machines, toilets and the like. It may not provide protection from hot water burns when there is a failure of other temperature controlling devices elsewhere in the plumbing system, if the temperature knob is not properly set or if the hot water temperature is changed after the settings are made or if the water inlet changes due to seasonal changes.

**WARNING:** Do not install a shut-off device on either outlet of this valve. When this type of device shuts off the water flow, it can defeat the ability of the valve to balance the hot and cold water pressures.

## Limited Warranty on Brizo® Faucets

**Parts and Finish:** All parts (other than electronic parts, air switch power modules, batteries, and parts not supplied by Brizo Kitchen and Bath Company) and finishes of Brizo® faucets purchased from authorized Brizo sellers are warranted to the original consumer purchaser to be free from defects in material and workmanship for as long as the original consumer purchaser owns the home in which the faucet was first installed. For commercial purchasers, (a) the warranty period is ten (10) years for multi-family residential applications and (b) five (5) years for all other commercial uses, in each case from the date that the product is received by the original purchaser or their authorized representative (installation contractor, etc.). For purposes of this warranty, the term "multi-family residential application" refers to the purchase of the faucet from an authorized Brizo seller by a purchaser who owns but does not live in the residential dwelling in which the faucet is initially installed, such as in a rented or leased single unit or multi-unit detached home (duplex or townhome), or a condominium, apartment building or community living center. The following installations are not considered multi-family residential applications, are excluded from the 10-year warranty, and are subject to the 5-year warranty: industrial, institutional or other business premises, such as a dormitory, hospitality premises (hotel, motel, or extended stay location), airport, educational facility, long- or short-term healthcare facility (hospital, rehabilitation center, nursing, assisted or staged-care living unit), public space or common area.

**Electronic Parts and Batteries (if applicable):** Electronic parts (other than air switch power modules and batteries), if any, in Brizo® faucets purchased from authorized Brizo sellers are warranted to the original consumer purchaser to be free from defects in material and workmanship for five (5) years from the date that the product is received by the original consumer purchaser or their authorized representative (installation contractor, etc.) or, for commercial users, for one (1) year from the date that the product is received by the original commercial purchaser or their authorized representative (installation contractor, etc.). No warranty is provided on batteries.

**Air Switch Power Module:** The electronic power module of Brizo® air switches purchased from authorized Brizo sellers is warranted to the original consumer purchaser to be free from defects in material and workmanship for two (2) years from the date that the product is received by the original consumer purchaser or their authorized representative (installation contractor, etc.) or, for commercial users, for one (1) year from the date that the product is received by the original commercial purchaser or their authorized representative (installation contractor, etc.).

**What We Will Do:** Brizo Kitchen & Bath Company will repair or replace, free of charge, during the applicable warranty period (as described above), any part or finish that proves defective in material and/or workmanship under normal installation, use, and service. Brizo Kitchen & Bath Company may, in its sole discretion, use new, refurbished or recertified parts or products for such repair or replacement. If repair or replacement is not practical, Brizo Kitchen & Bath Company may elect to refund the purchase price in exchange for the return of the product. **These are your exclusive remedies.**

**What Is Not Covered:** Because Brizo Kitchen and Bath Company is unable to control the quality of Brizo products sold by unauthorized sellers, unless otherwise prohibited by law, this warranty does not cover Brizo products purchased from unauthorized sellers (visit [Brizo.com](http://Brizo.com) to see a list of our Authorized Online Resellers).

Any labor charges incurred by the purchaser to repair, replace, install or remove this product are not covered by this warranty. Brizo Kitchen & Bath Company shall not be liable for any damage to the product resulting from reasonable wear and tear, outdoor use, misuse (including use of the product for an unintended application), freezing water, abuse, neglect, or improper or incorrectly performed assembly, installation, maintenance or repair, including failure to follow the applicable care and cleaning instructions. Customized components purchased by the consumer or commercial user and installed into a Brizo product, and any damage resulting from removal or improper installation of such components, are not covered by this warranty. Brizo Kitchen & Bath Company recommends using a professional plumber for all installation and repair of faucets. We also recommend that you use only genuine Brizo® replacement parts.

**What You Must Do To Obtain Warranty Service or Replacement Parts:** A warranty claim may be made, and replacement parts may be obtained by calling 1-877-345-BRIZO (2749) or by contacting us by mail or online as follows (please include your model number, date of purchase and documentation of the date of receipt of the product by the original purchaser or their authorized representative (installation contractor, etc.):

### In the United States and Mexico:

Brizo Kitchen & Bath Company  
55 E. 111th Street  
Indianapolis, IN 46280  
Attention: Warranty Service  
<https://www.brizo.com/customer-support/contact-us>

### In Canada:

Masco Canada Limited, Plumbing Group  
Technical Service Centre  
350 South Edgeware Road  
St. Thomas, Ontario, Canada N5P 4L1  
<https://www.brizo.com/customer-support/contact-us>

Proof of purchase (original sales receipt showing purchase date) and documentation of the date of receipt of the product by the original purchaser or their authorized representative (installation contractor, etc.) must be made available to Brizo Kitchen & Bath Company for all warranty claims unless the purchaser has registered the product with Brizo Kitchen & Bath Company. This warranty applies only to Brizo® faucets installed in the United States of America, Canada, and Mexico.

**Limitation on Duration of Implied Warranties:** Please note that some states/provinces (including Quebec) do not allow limitations on how long an implied warranty lasts, so the below limitations may not apply to you. TO THE MAXIMUM EXTENT PERMITTED BY APPLICABLE LAW, ANY IMPLIED WARRANTY, INCLUDING THE IMPLIED WARRANTIES OF MERCHANTABILITY AND OF FITNESS FOR A PARTICULAR PURPOSE, IS LIMITED TO THE STATUTORY PERIOD OR THE DURATION OF THIS WARRANTY, WHICHEVER IS SHORTER.

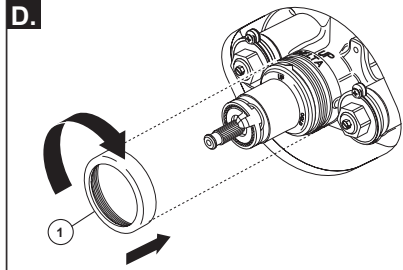
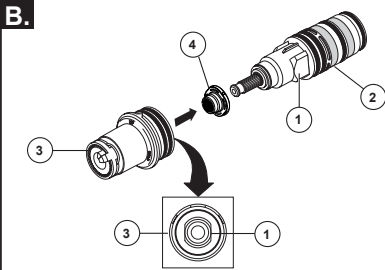
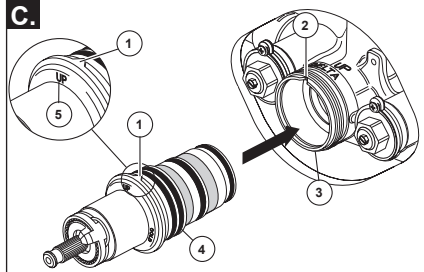
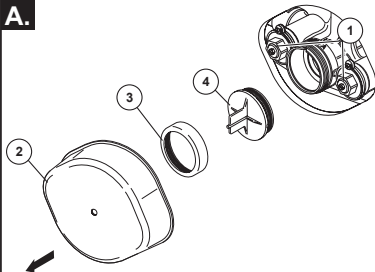
**Limitation of Special, Incidental or Consequential Damages:** Please note that some states/provinces (including Quebec) do not allow the exclusion or limitation of special, incidental, or consequential damages, so the below limitations and exclusions may not apply to you. TO THE MAXIMUM EXTENT PERMITTED BY APPLICABLE LAW, THIS WARRANTY DOES NOT COVER, AND BRIZO KITCHEN & BATH COMPANY SHALL NOT BE LIABLE FOR ANY SPECIAL, INCIDENTAL, OR CONSEQUENTIAL DAMAGES (INCLUDING LABOR CHARGES TO REPAIR, REPLACE, INSTALL OR REMOVE THIS PRODUCT), WHETHER ARISING OUT OF BREACH OF ANY EXPRESS OR IMPLIED WARRANTY, BREACH OF CONTRACT, TORT, OR OTHERWISE. BRIZO KITCHEN & BATH COMPANY SHALL NOT BE LIABLE FOR ANY DAMAGE TO THE FAUCET RESULTING FROM REASONABLE WEAR AND TEAR, OUTDOOR USE, MISUSE (INCLUDING USE OF THE PRODUCT FOR AN UNINTENDED APPLICATION, FREEZING WATER, ABUSE, NEGLECT OR IMPROPER OR INCORRECTLY PERFORMED ASSEMBLY, INSTALLATION, MAINTENANCE OR REPAIR, INCLUDING FAILURE TO FOLLOW THE APPLICABLE INSTALLATION, CARE AND CLEANING INSTRUCTIONS. Notice to residents of the State of New Jersey: The provisions of this warranty, including its limitations, are intended to apply to the fullest extent permitted by the laws of the State of New Jersey.

**Additional Rights:** This warranty gives you specific legal rights, and you may also have other rights which vary from state/province to state/province. This is Brizo Kitchen & Bath Company's exclusive written warranty, and the warranty is not transferable.

If you have any questions or concerns regarding our warranty, please contact us as provided above or visit our website at [www.brizo.com](http://www.brizo.com).

© 2023 Masco Corporation of Indiana

# 1



**Note: The Sensori® Thermostatic Valve rough must be installed before installing the trim.**

**A.** Turn off water supplies from main or inlet stops (1). Remove plasterguard (2), bonnet nut (3) and test cap (4) from the body.

**B.** Verify presence of either o-ring (on some models) or friction bushing (4) located on splined valve stem.

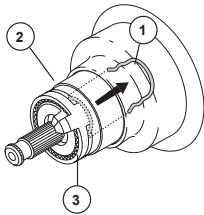
Locate flats (1) on cartridge (2) and inside of sleeve (3). Align flats and insert cartridge into sleeve being careful not to push on copper element at end of cartridge.

**C.** Locate "V" (1) on cartridge sleeve and "V" notch (2) on valve body (3). Align the "Vs" and press sleeve and cartridge assembly (4) into valve body (3) and note the "UP" position (5).

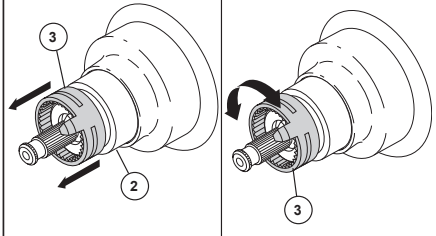
**D.** Slide bonnet nut (1) over the cartridge and thread onto the body. Hand tighten securely.

# 2

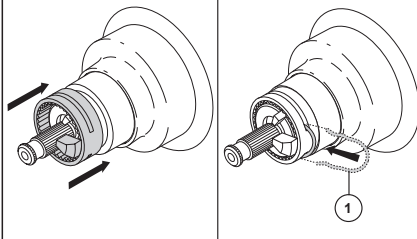
A.



B.



C.



## IMPORTANT:

The Rotational Limit Stop is used to limit the amount of hot water available such that, if set properly, the user will not be scalded if the handle accidentally is rotated all the way to "hot" when a person is showering. The first position allows the **LEAST** amount of hot water to mix with the cold water in the system. In the first position the water will be the coldest possible when the handle is turned all the way to hot. As you move the Rotational Limit Stop counterclockwise, you progressively add more and more hot water in the mix. The last position to the left will result in the greatest amount of hot water to the mix, and the greatest risk of scald injury if someone accidentally turns the valve handle all the way to the hot side while showering.

**WARNING:** In some instances, setting the Rotational Limit Stop in the hottest position (full counterclockwise) could result in scald injury. It is necessary to adjust the Rotational Limit Stop so that the water coming out of the valve will not scald the user when the handle of the valve is rotated to the hot side.

- According to the majority of industry standards, the maximum allowable temperature of the water exiting the valve is 120°F (Your local plumbing codes may require a water temperature less than 120°F).
- Run the water so that the cold water is as cold as it will get and hot water is as hot as it will get. Place the handle on the stem and rotate the handle counterclockwise until the handle stops.
- Place a thermometer in a plastic tumbler and hold

in the water stream. If the water temperature is above 120°F, the Rotational Limit Stop must be repositioned clockwise to decrease valve outlet water temperature to be less than 120°F or to meet the requirements of your local plumbing codes.

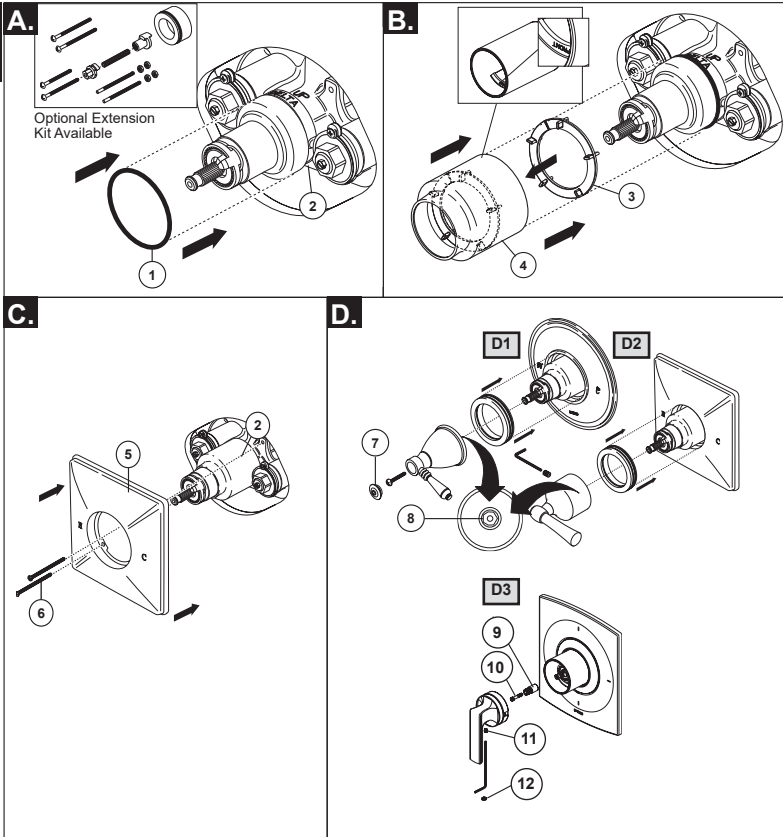
- To adjust the temperature of the water coming out of the valve:

**A.** Pull the clip (1) from the sleeve (2) and rotational limit stop (3).

**B.** Note the position of the rotational limit stop (3). Pull the rotational limit stop out from the sleeve (2) enough so that it can be rotated clockwise to decrease the outlet temperature or counterclockwise to increase the outlet temperature.

**C.** Once the desired outlet temperature is reached, make sure rotational limit stop is pushed back onto the sleeve so that the clip (1) can be reinstalled. **Make sure clip is secure on sleeve.** Reassemble handle to valve stem.

- **MAKE SURE COLD WATER FLOWS FROM THE VALVE FIRST. MAKE SURE WATER FLOWING FROM THE VALVE AT THE HOTTEST FLOW POSSIBLE DOES NOT EXCEED 120°F OR THE MAXIMUM ALLOWED BY YOUR LOCAL PLUMBING CODE.**

**3**

**A.** Slide O-ring (1) over cartridge and the bonnet nut (2). The O-ring, which acts as a spacer to steady the sleeve, should rest behind the bonnet nut. **Note: Depending on the location of valve within the wall and wall thickness, an optional extension kit can provide an additional 1 3/4" of wall thickness.** To reference replacement parts visit [www.brizo.com](http://www.brizo.com).

**B.** If your model requires a spacer (3), install it into sleeve (4). Slide the sleeve over the cartridge, body and O-ring. Ensure sleeve is properly positioned over the front of cartridge.

**C.** Secure the escutcheon (5) to the rough (2) with the 2 screws provided (6). Do not overtighten escutcheon screws.

**D.** **D1: Handle with Axial Screw**  
Remove the top button (7) from the handle (if already assembled) by pulling straight up. Select legacy models have a plastic insert (8) inside the bottom of the handle. For those models, verify plastic insert is inside the handle.

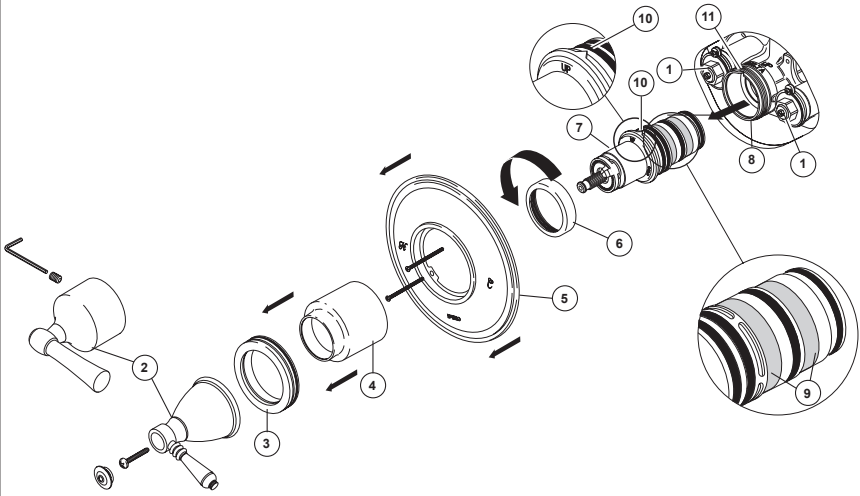
Make sure valve is in the full cold position (to the right) and align lever of lever handle models to the cold position on the escutcheon and press handle onto valve stem. Secure handle with screw provided and press button back into top of handle.

#### **D2: Handle with Side Screw**

Select legacy models have a plastic insert (8) inside the bottom of the handle. For those models, verify the plastic insert is inside the handle. Make sure valve is in the full cold position and align lever of lever handle models to the cold position on the escutcheon and press handle onto valve stem. Secure handle with set screw provided and install set screw cover (if included).

#### **D3: Handle with Stem Extender**

Install stem extender (9) onto valve stem and secure with screw (10). Slide handle onto stem extender and tighten set screw (11). Insert button (12) until properly seated



## Maintenance

If you notice reduced flow or the outlet temperature fluctuating, the cartridge screens may need cleaned. To clean the cartridge screens: Shut off water from the main valve or from stops (1). Remove the handle (2), trim ring (3), trim sleeve (4), escutcheon (5) (if using stops) and unscrew bonnet nut (6). Carefully pull cartridge and sleeve assembly (7) from the valve body (8). Carefully brush or wash away any debris that may be on the screens (9). After cleaning, reinstall cartridge and sleeve assembly back into the valve body, making sure to align the "V" (10) on the sleeve with the "V" groove (11) on the valve body (Note the "UP" on the sleeve). Secure cartridge and sleeve assembly by screwing the bonnet securely onto the valve body. Turn the stops on, and reassemble remaining parts.

## Cleaning and Care

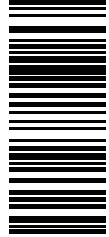
Care should be given to the cleaning of this product. Although its finish is extremely durable, it can be damaged by harsh abrasives or polish. To clean, simply wipe gently with a damp cloth and blot dry with a soft towel.

T66T0 \_\_\_\_\_

Regístrese en línea  
[www.brizo.com/customer-support/product-registration](http://www.brizo.com/customer-support/product-registration)

Para referencia sobre las piezas de repuesto y acceder a documentos técnicos adicionales e información del producto, visite [www.brizo.com](http://www.brizo.com)

X00106854



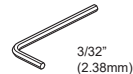
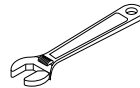
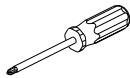
1-877-345-BRIZO (2749)  
[www.brizo.com/customer-support](http://www.brizo.com/customer-support)

Lea todas las instrucciones antes de hacer la instalación.

## ⚠ ADVERTENCIA

El no leer estas instrucciones de instalación puede resultar en lesiones personales, daños a la propiedad, o falla en el funcionamiento del producto. El fabricante no asume ninguna responsabilidad por la falla del producto debido a una instalación incorrecta.

Usted puede necesitar:



**ADVERTENCIA:** El instalador debe apostar este sistema/divisa para garantizar temperatura máximo y seguro. Cualquier cambio en el ajuste puede subir la temperatura del agua de descarga sobre el límite considerado seguro y puede resultar en quemaduras de agua caliente.

**AVISO PARA EL INSTALADOR: PRECAUCIÓN –** Como instalador de esta válvula, es su responsabilidad de **INSTALAR Y AJUSTAR** apropiadamente esta válvula como se describe en las instrucciones, por lo tanto, debe haber una persona para hacer los ajustes necesarios del pomo para la temperatura en el momento que se haga la instalación y pueda necesitar ajustes adicionales por los cambios estacionales de la temperatura del agua. **USTED DEBE** informarle al dueño/usuario sobre este requisito siguiendo las instrucciones. Si usted o el dueño/usuario no están seguros como hacer estos ajustes apropiadamente, por favor refiérase al **Página 4** y si todavía no está seguro, llámenos al **1-877-345-BRIZO (2749)**.

Después de hacer la instalación y el ajuste, usted puede agregarle a la etiqueta de aviso proporcionada, su nombre, el nombre de la compañía y la fecha cuando ajustó y el pomo para la temperatura y aplicar o fijar la etiqueta al dorso de la puerta del gabinete más cercano y la etiqueta de aviso al calentador de agua. Deje la Hoja de Instrucciones para referencia del dueño/usuario.

**ADVERTENCIA:** Esta válvula termostática está diseñada para minimizar los efectos de los cambios de temperatura de agua por causa de los cambios de temperatura en el agua de entrada, comúnmente causados por lavadoras de platos, lavadoras de ropa, inodoros, y otros aparatos por el estilo. Puede no proporcionar protección de quemaduras de agua caliente cuando hay alguna falla de otros aparatos para el control de temperatura en otro sitio en el sistema de plomería. También no proporcionará protección si el pomo para el ajuste de la temperatura no está apropiadamente fijo o si cambia la temperatura del agua caliente después de hacer los ajustes o si los cambios del agua de entrada son por los cambios estacionales.

## Garantía limitada de las llaves de agua/grifos Brizo®

**Piezas y Acabado:** Todas las piezas (excepto las piezas electrónicas, los módulos de suministro de electricidad al interruptor de aire, las pilas y las piezas no suministradas por Brizo Kitchen and Bath Company) y los acabados de las llaves de agua Brizo® comprados a vendedores autorizados de Brizo están garantizados al comprador consumidor original estar libres de defectos en materiales y mano de obra durante el tiempo que el comprador consumidor original sea propietario de la casa en la que se instaló la llave de agua por primera vez. Para compradores comerciales, (a) el período de garantía es de diez (10) años para aplicaciones residenciales multifamiliares y (b) cinco (5) años para todos los demás usos comerciales, en cada caso a partir de la fecha en que el comprador original o su representante autorizado (contratista de instalación, etc.) recibió el producto. Para los fines de esta garantía, el término "aplicación residencial multifamiliar" se refiere a la compra de la llave de agua a un vendedor autorizado de Brizo por parte de un comprador que es propietario pero no vive en la vivienda residencial en la que se instaló inicialmente la llave de agua o, como por ejemplo en una unidad individual alquilada o en una casa independiente de unidades múltiples (dúplex o casa adosada), o en un condominio, edificio de apartamentos o centro de vida comunitario. Las siguientes instalaciones no se consideran aplicaciones residenciales multifamiliares, están excluidas de la garantía de 10 años y están sujetas a la garantía de 5 años: locales industriales, institucionales u otros locales comerciales, como dormitorios, locales de hospitalidad (hotel, motel, o lugar de estadía prolongada), aeropuerto, centro educativo, centro de atención médica a corto o largo plazo (hospital, centro de rehabilitación, enfermería, unidad de vivienda de atención asistida o por etapas), espacio público o área común.

**Piezas electrónicas y pilas (si corresponde):** Las piezas electrónicas (que no sean módulos de suministro de electricidad al interruptor de aire y pilas), si las hubiera, en las llaves de agua Brizo® compradas a vendedores autorizados de Brizo están garantizadas al comprador consumidor original estar libres de defectos de material y de mano de obra durante cinco (5) años a partir de la fecha cuando el comprador consumidor original o su representante autorizado (contratista de instalación, etc.) recibió el producto o, para usuarios comerciales, durante un (1) año a partir de la fecha en que el comprador comercial original o su representante autorizado recibió el producto (contratista de instalación, etc.). No se proporciona garantía en las pilas.

**Módulo de suministro de electricidad al interruptor de aire:** Se garantiza al comprador consumidor original que el módulo de suministro de electricidad a los interruptores de aire Brizo® comprados a vendedores autorizados de Brizo estará libre de defectos de material y mano de obra durante dos (2) años a partir de la fecha en que el comprador consumidor original o su representante autorizado (contratista de instalación, etc.) recibió el producto o, para usuarios comerciales, durante un (1) año a partir de la fecha en que el comprador comercial original o su representante autorizado (contratista de instalación, etc.) recibió el producto.

**Lo que haremos:** Brizo Kitchen & Bath Company reparará o reemplazará, sin cargo, durante el período de garantía aplicable (como se describe anteriormente), cualquier pieza o acabado que resulte defectuoso en material y/o mano de obra en condiciones normales de instalación, uso y servicio. Brizo Kitchen & Bath Company puede, a su exclusivo criterio, utilizar piezas o productos nuevos, reacondicionados o recertificados para dicha reparación o reemplazo. Si la reparación o el reemplazo no es práctico, Brizo Kitchen & Bath Company puede optar por reembolsar el precio de compra a cambio de la devolución del producto. **Estos son sus remedios exclusivos.**

**Lo que no está cubierto:** Debido a que Brizo Kitchen and Bath Company no puede controlar la calidad de los productos Brizo vendidos por vendedores no autorizados, a menos que la ley lo prohíba, esta garantía no cubre los productos Brizo comprados a vendedores no autorizados (visite [Brizo.com](http://Brizo.com) para ver una lista de nuestros revendedores autorizados en línea).

Cualquier cargo por mano de obra incurrido por el comprador para reparar, reemplazar, instalar o quitar este producto no está cubierto por esta garantía. Brizo Kitchen & Bath Company no será responsable de ningún daño al producto que resulte del desgaste razonable, uso en exteriores, mal uso (incluido el uso del producto para una aplicación no prevista), agua helada, abuso, negligencia o ensamblaje inadecuado o incorrecto, instalación, mantenimiento o reparación, incluido el incumplimiento de las instrucciones de cuidado y limpieza aplicables. Los componentes personalizados adquiridos por el consumidor o usuario comercial e instalados en un producto Brizo, y cualquier daño resultante de la extracción o instalación incorrecta de dichos componentes, no están cubiertos por esta garantía.

Brizo Kitchen & Bath Company recomienda utilizar un plomero profesional para toda la instalación y reparación de las llaves de agua. También le recomendamos que utilice únicamente piezas de repuesto originales Brizo®.

**Qué debe hacer para obtener servicio de garantía o piezas de repuesto:** Se puede realizar un reclamo de garantía y obtener piezas de repuesto llamando al 1-877-345-BRIZO (2749) o comunicándose con nosotros por correo o en línea de la siguiente manera (incluya su número de modelo, fecha de compra y documentación con la fecha cuando el comprador original o su representante autorizado (contratista de instalación, etc.) recibió el producto):

### En los Estados Unidos y México:

Brizo Kitchen & Bath Company  
55 E. 11th Street  
Indianapolis, IN 46280  
Attention: Warranty Service  
<https://www.brizo.com/customer-support/contact-us>

### En Canadá:

Masco Canada Limited, Plumbing Group  
Technical Service Centre  
350 South Edgeware Road  
St. Thomas, Ontario, Canada N5P 4L1  
<https://www.brizo.com/customer-support/contact-us>

El comprobante de compra (recibo de compra original que muestre la fecha de compra) y la documentación con la fecha cuando el comprador original o su representante autorizado (contratista de instalación, etc.) recibió el producto deben estar disponibles para Brizo Kitchen & Bath Company para todos los reclamos de garantía a menos que el comprador haya registrado el producto con Brizo Kitchen & Bath Company. Esta garantía se aplica únicamente a las llaves de agua Brizo® instaladas en los Estados Unidos de América, Canadá y México.

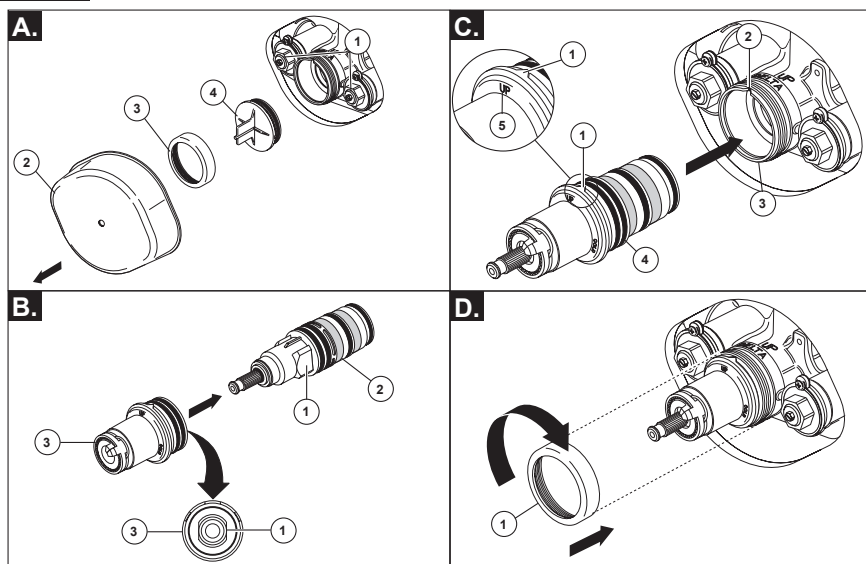
**Limitación de la duración de las garantías implícitas:** Tenga en cuenta que algunos estados/provincias (incluido Quebec) no permiten limitaciones sobre la duración de una garantía implícita, por lo que es posible que las siguientes limitaciones no se apliquen a usted. EN LA MEDIDA MÁXIMA PERMITIDA POR LA LEY APLICABLE, CUALQUIER GARANTÍA IMPLÍCITA, INCLUYENDO LAS GARANTÍAS IMPLÍCITAS DE COMERCIABILIDAD Y DE IDONEIDAD PARA UN PROPÓSITO PARTICULAR, SE LIMITA AL PERÍODO LEGAL O A LA DURACIÓN DE ESTA GARANTÍA, EL QUE SEA MÁS CORTO.

**Limitación de daños especiales, incidentales o consecuentes:** Tenga en cuenta que algunos estados/provincias (incluido Quebec) no permiten la exclusión o limitación de daños especiales, incidentales o consecuentes, por lo que es posible que las siguientes limitaciones y exclusiones no se apliquen a usted. EN LA MEDIDA MÁXIMA PERMITIDA POR LA LEY APLICABLE, ESTA GARANTÍA NO CUBRE, Y BRIZO KITCHEN & BATH COMPANY NO SERÁ RESPONSABLE DE NINGÚN DAÑO ESPECIAL, INCIDENTAL O CONSECUENTE (INCLUYENDO CARGOS DE MANO DE OBRA PARA REPARAR, REEMPLAZAR, INSTALAR O QUITAR ESTE PRODUCTO), YA SEA POR INCUMPLIMIENTO DE CUALQUIER GARANTÍA EXPRESA O IMPLÍCITA, INCUMPLIMIENTO DE CONTRATO, AGRAVIO O DE OTRA MANERA. BRIZO KITCHEN & BATH COMPANY NO SERÁ RESPONSABLE DE NINGÚN DAÑO AL GRIFO QUE RESULTE DEL DESGASTE RAZONABLE, USO EN EXTERIORES, MAL USO (INCLUYENDO EL USO DEL PRODUCTO PARA UNA APLICACIÓN NO PREVISTA, AGUA CONGELADA, ABUSO, NEGLIGENCIA O MONTAJE REALIZADO INCORRECTAMENTE O INCORRECTAMENTE, INSTALACIÓN, MANTENIMIENTO O REPARACIÓN, INCLUYENDO EL INCUMPLIMIENTO DE LAS INSTRUCCIONES CORRESPONDIENTES DE INSTALACIÓN, CUIDADO Y LIMPIEZA. Aviso a los residentes del estado de Nueva Jersey: Las disposiciones de esta garantía, incluidas sus limitaciones, están destinadas a aplicarse en la máxima medida permitida por el leyes del Estado de Nueva Jersey.

**Derechos adicionales:** Esta garantía le otorga derechos legales específicos, y es posible que también tenga otros derechos que varían de un estado/provincia a otro estado/provincia. Esta es la garantía escrita exclusiva de Brizo Kitchen & Bath Company y la garantía no es transferible.

Si tiene alguna pregunta o inquietud con respecto a nuestra garantía, comuníquese con nosotros como se indicó anteriormente o visite en nuestro sitio web Preguntas Frecuentes FAQ en [www.brizo.com](http://www.brizo.com)

# 1



**Nota:** la tubería preliminar de la válvula termostática Sensori® debe instalarse antes de instalar los accesorios.

**A.** Cierre los suministros de agua de paradas de la tubería o de la entrada (1). Quite el protector de yeso (2), la tuerca tapa (3) y la tapa de prueba (4) del cuerpo.

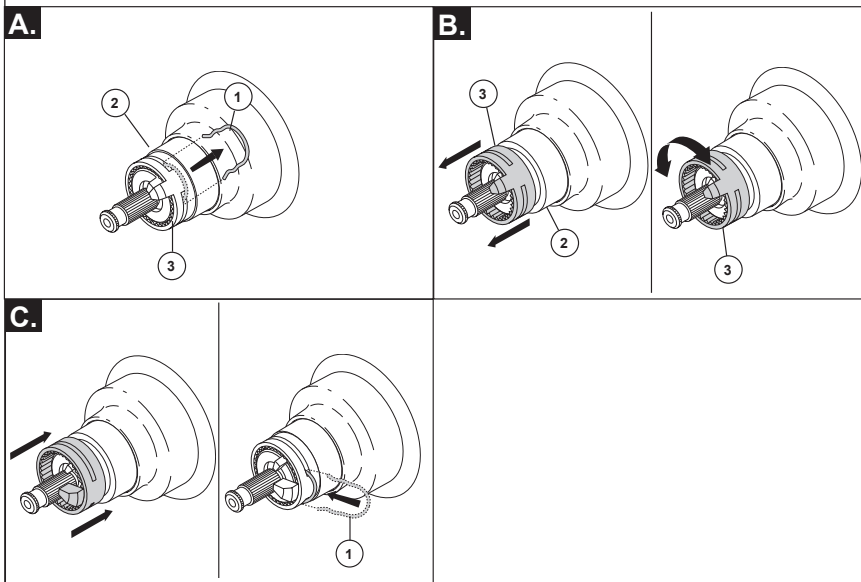
**B.** Verifique la presencia de una junta tórica (en algunos modelos) o un casquillo de fricción (4) ubicado en la espiga de la válvula estriada.

Ubique las partes plana (1) en el cartucho (2) y dentro de la manga (3). Alinee las secciones planas e introduzca el cartucho dentro de la manga con cuidado de no presionar el elemento de cobre al final del cartucho.

**C.** Ubique la "V" (1) en la manga del cartucho y la muesca "V" (2) en el cuerpo de la válvula (3). Alinee que correspondan las "Vs" unas con las otras y presione la manga y el ensamble del cartucho (4) en el cuerpo de la válvula (3) y observe "UP" de la posición (5).

**D.** Deslice la tuerca tapa (1) sobre el cartucho y enrosque en el cuerpo. Apriete fijamente a mano.

# 2



## IMPORTANTE:

El Tope del Límite Rotacional se usa para limitar la cantidad de agua caliente disponible de manera que, si ajustado apropiadamente, el usuario no se escaldará en caso que la manija accidentalmente se mueva completamente a "caliente" cuando la persona se está duchando. La primera posición permite que la MENOR cantidad de agua caliente se mezcle con el agua fría en el sistema. En la primera posición el agua estará lo más fría posible cuando la manija se gire completamente al lado caliente. Al mover el Tope del Límite Rotacional en dirección contraria a la de las manecillas del reloj, progresivamente usted le agregará más y más agua caliente a la mezcla. La última posición a la izquierda resultará en una cantidad mayor de agua caliente en la mezcla, y el riesgo mayor de herida por escaldadura si alguien accidentalmente gira la manija de la válvula completamente hacia el lado caliente mientras que se ducha.

**ADVERTENCIA: En algunos casos, el ajustar el Tope del Límite Rotacional a la posición (completamente en dirección contraria a las manecillas del reloj) pudiera resultar en lesión por escaldadura. Es necesario ajustar el Tope del Límite Rotacional de manera que el agua que sale de la válvula no escaldará al usuario cuando la manija de la válvula se gire al extremo caliente.**

- De acuerdo con la mayoría de los estándares de la industria, la temperatura máxima permisible del agua que sale de la válvula es 120°F (Sus códigos locales de plomería pueden requerir una temperatura de agua menor de 120°F).

- Corra en agua de manera que el agua fría esté lo más fría que pueda estar y el agua caliente esté lo más caliente que pueda estar. Coloque la manija en

la espiga y gire la manija en dirección contraria a la de las manecillas del reloj hasta que la manija pare.

- Coloque el termómetro en un vaso plástico y sosténgalo bajo el chorro de agua. Si la temperatura del agua está por encima de 120°F, el Tope del Límite Rotacional debe colocarse de nuevo en la misma dirección de las manecillas del reloj para disminuir la temperatura del agua de salida por la válvula para que sea menor de 120°F, o para cumplir con los requisitos de sus códigos locales de plomería.

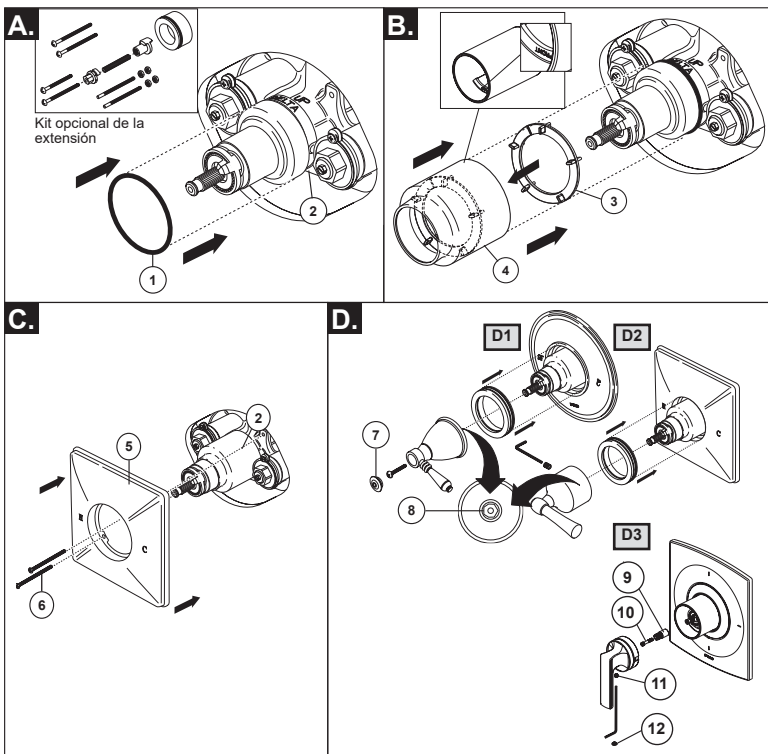
- Para ajustar la temperatura del agua que sale de la válvula:

**A.** Hale el gancho (1) de la manga (2) y del tope del límite rotacional (3).

**B.** Fíjese en la posición del tope del límite rotacional (3). Hale el tope del límite rotacional hacia afuera de la manga (2) lo suficiente de manera que pueda girar en la misma dirección que las manecillas del reloj para bajar la temperatura del agua de salida o en dirección contraria para subir la temperatura del agua de salida.

**C.** Una vez que la temperatura del agua de salida se ha alcanzado, asegúrese que el tope del límite rotacional quede presionado dentro de la manga de manera que el gancho (1) pueda reinstalarse. Asegúrese que el gancho quede fijo en la manga. Ensamble de nuevo la manija a la espiga de la válvula.

- **ASEGÚRESE QUE EL AGUA FRÍA FLUYA PRIMERO DE LA VÁLVULA. ASEGÚRESE QUE EL AGUA QUE FLUYE DE LA VÁLVULA CUANDO ESTÁ LO MÁS CALIENTE POSIBLE NO EXCEDA 120°F Ó EL MÁXIMO PERMISIBLE POR SU CÓDIGO DE PLOMERÍA LOCAL.**



**A.** Deslice el aro-O (1) sobre el cartucho y la tuerca tapa (2). El aro-O que funciona como un separador para estabilizar la manga, debe quedar detrás de la tuerca tapa. **Nota: Dependiendo de la localización de la válvula dentro de la pared y de la pared el grueso, un kit opcional de la extensión puede proporcionar un 1 3/4" adicional; del grueso de pared.** Para referencia de las piezas de repuesto visite [www.brizo.com](http://www.brizo.com).

**B.** Si su modelo requiere un separador (1), instálelo en la manga (2). Deslice la manga sobre el cartucho, el cuerpo y el aro-O. Asegúrese que la manga esté apropiadamente colocada sobre el frente del cartucho.

**C.** Fije la chapa (1) al soporte (2) con los 2 tornillos incluidos (3). No apriete demasiado los tornillos de la chapa.

**D.** **D1: Manija con tornillo axial**  
Retire el botón superior (7) de la manija (si ya está armado) halando directo hacia arriba. Algunos modelos legados tienen un inserto plástico (8) dentro de la parte inferior de la manija. Para esos modelos, verifique que el inserto plástico esté dentro de la manija. Asegúrese que la válvula esté en la posición completamente fría (hacia la derecha) y en los

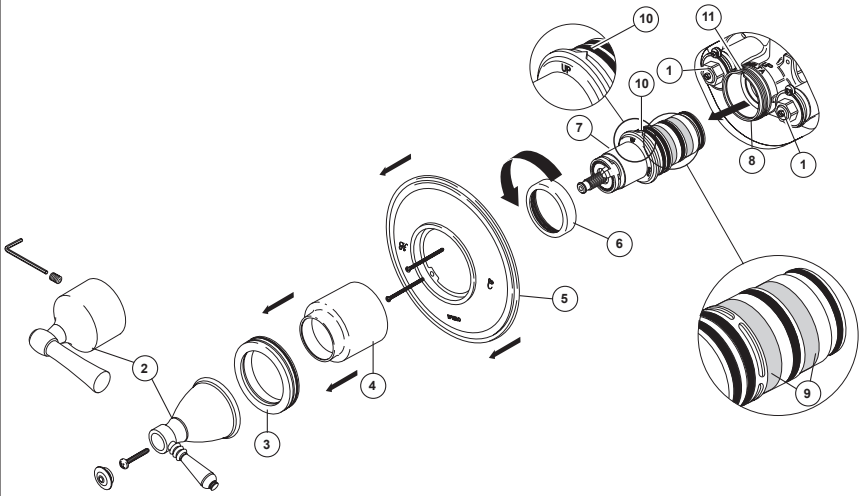
modelos de palanca, coloque alineando la palanca con la posición de agua fría en la chapa y presione la manija en la espiga de la válvula. Fije la manija con el tornillo proporcionado y coloque otra vez el botón presionándolo sobre la tapa de la manija.

#### **D2: Manija con tornillo lateral**

Algunos modelos legados tienen un inserto plástico (8) dentro de la parte inferior de la manija. Verifique en estos modelos que el inserto plástico esté dentro de la manija. Con todos los otros modelos que tienen un tornillo de ajuste al costado de la base de la manija, mire dentro de la manija para asegurarse que el inserto plástico (8) esté en su sitio. Asegúrese que la válvula esté en la posición completamente fría y coloque en línea la palanca con la posición de agua fría en la chapa y presione la manija en la espiga de la válvula. Fije la manija con el tornillo de fijación suministrado e instale la tapita de la tuerca de fijación (si se incluye).

#### **D3: Manija con extensión para la espiga**

Instale la extensión de la espiga (9) en la espiga de la válvula y fíjela con el tornillo (10). Deslice la manija sobre la extensión de la espiga y apriete el tornillo de fijación (11). Inserte el botón (12) hasta que quede colocado correctamente.



## Mantenimiento

Si nota el flujo de agua reducido o que la temperatura del agua de salida fluctúa, los filtros o telas metálicas del cartucho necesitan limpiarse. Para limpiar los filtros, apague el agua de la válvula principal o de paradas (1). Quite la manija (2), el aro de accesorio (3), la manga (4), chapa (5) (si usa paradas) y destornille la tuerca tapa (6). Cuidadosamente hale el cartucho (7) del cuerpo de la válvula (8). Cuidadosamente cepille o lave todos los residuos que puedan estar en los filtros (9). Después de limpiar, reinstale el cartucho y el ensamble de la manga otra vez en el cuerpo de la válvula, asegurándose de alinear la "V" en la manga con la "V" en la muesca del cuerpo de la válvula. Fije el cartucho y el ensamble de la manga atornillando el capuchón fijamente en el cuerpo de la válvula. Ensamble de nuevo las partes que quedan.

## Limpeza Y Cuidado De Su Llave

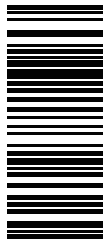
Tenga cuidado al ir a limpiar este producto. Aunque su acabado es sumamente durable, puede ser afectado por agentes de limpieza o para pulir abrasivos. Para limpiar su llave, simplemente frótelas con un trapo húmedo y luego séquela con una toalla suave.

T66T0 \_\_\_\_\_

S'enregistrer en ligne  
[www.brizo.com/customer-support/product-registration](http://www.brizo.com/customer-support/product-registration)

Pour obtenir la référence des pièces de rechange ainsi que pour avoir accès à d'autres documents techniques et renseignements sur le produit, allez à [www.brizo.com](http://www.brizo.com)

X00106854



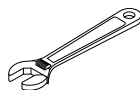
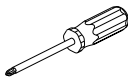
1-877-345-BRIZO (2749)  
[www.brizo.com/customer-support](http://www.brizo.com/customer-support)

**Veillez lire toutes les instructions avant l'installation.**

### ⚠ AVERTISSEMENT

L'omission de lire les présentes instructions avant l'installation peut entraîner des blessures, des dommages matériels ou le bris du produit. Le fabricant se dégage de toute responsabilité à l'égard d'un bris du produit causé par une mauvaise installation.

Articles dont vous pouvez avoir besoin :



**ATTENTION:** L'installateur doit régler l'appareil pour que la température maximale de l'eau chaude soit sans danger. Toute modification des réglages peut entraîner une élévation de la température à la sortie du robinet au delà de la température sans danger et pourrait causer un échaudage.

**AVIS À L'INSTALLATEUR : ATTENTION!** – En qualité d'installateur, vous êtes tenu d'INSTALLER et de RÉGLER ce robinet conformément aux instructions. Ce robinet ne s'adapte pas automatiquement aux fluctuations de la température de l'eau d'alimentation. Par conséquent, il faut régler le bouton de température au moment de l'installation et il peut être nécessaire de faire de nouveaux réglages par la suite en raison des fluctuations saisonnières de la température de l'eau. **VOUS DEVEZ** informer le propriétaire ou l'utilisateur de cette exigence. En cas de doute quant à la marche à suivre pour faire ces réglages, veuillez consulter page 4 si un doute persiste, et si cette incertitude persiste, appelez-nous au 1-877-345-BRIZO (2749).

Après avoir terminé l'installation et le réglage, vous devez inscrire, sur l'étiquette de mise en garde fournie, votre nom, le nom de votre entreprise et la date à laquelle vous avez réglé le bouton de température, puis fixer l'étiquette à l'endos de la porte de la coiffeuse. Vous devez également fixer l'étiquette d'avertissement au chauffe-eau. **Veillez laisser ce feuillet d'instructions au propriétaire ou à l'utilisateur pour qu'il puisse le consulter au besoin.**

**MISE EN GARDE** – Ce robinet thermostatique pour baignoire est conçu pour limiter les effets des fluctuations de température de l'eau causées par les variations de la température attribuables au fonctionnement d'un lave-vaisselle, d'une machine à laver, d'un cabinet d'aisances ou d'un autre appareil qui consomme de l'eau. Il peut ne pas protéger l'utilisateur contre l'échaudage en cas de défaillance d'un autre dispositif de régulation de la température, si de haute température ou du bouton de température est mauvais, si la température de l'eau chaude a été modifiée après que les réglages ont été effectués ou si la température de l'eau d'alimentation a changé en raison du changement de saison.

## Garantie limitée des robinets Brizo®

**Pièces et finis:** Tous les pièces (autres que les composants électroniques, les modules d'alimentation d'interrupteur pneumatique, les piles et les pièces non fournies par Brizo Kitchen and Bath Company) et les finis des robinets Brizo® achetés auprès de vendeurs Brizo autorisés sont protégés contre les défauts du matériel et les vices de fabrication par une garantie qui est consentie au premier acheteur au détail et qui demeure valide tant que celui-ci demeure propriétaire de la maison dans laquelle le robinet a été installé pour la première fois. En ce qui concerne les acheteurs commerciaux, la période de garantie est de dix (10) ans pour les applications résidentielles multifamiliales et b) de cinq (5) ans pour toutes les autres applications commerciales, à compter de la date, dans chaque cas, de réception du produit par le premier acheteur ou son représentant autorisé (installateur, etc.). Dans le libellé de la présente garantie, on entend par « application résidentielle multifamiliale », un robinet acheté chez un vendeur Brizo autorisé par un acheteur qui est propriétaire d'un logement résidentiel sans l'habiter et installé la première fois dans cet immeuble. Il peut s'agir d'un immeuble individuel comportant un ou plus d'un logement loué (duplex ou groupe de maisons en rangée), d'un condominium, d'un immeuble d'habitation ou d'un centre d'intégration communautaire. Les applications décrites ci-après ne sont pas considérées comme étant des applications résidentielles multifamiliales et elles sont couvertes par la garantie de cinq (5) ans pluri-étapes à partir de la garantie de dix (10) ans. Ce sont les suivantes : robinets installés dans un bâtiment industriel, un bâtiment institutionnel et un autre immeuble commercial, notamment une résidence d'étudiants, un lieu d'hébergement (hôtel, motel ou lieu de séjour prolongé), un aéroport, un établissement d'enseignement, un établissement de soins de santé de courte ou de longue durée (hôpital, centre de réadaptation, maison de soins infirmiers, résidence pour personnes âgées), un endroit public ou un lieu commun.

**Composants électroniques et piles (le cas échéant):** Les composants électroniques (autres que les modules d'alimentation d'interrupteur pneumatique et les piles) des robinets Brizo® achetés auprès de vendeurs Brizo autorisés sont protégés contre les défauts du matériel et les vices de fabrication par une garantie consentie au premier acheteur au détail qui est de cinq (5) ans à compter de la date de réception du produit par le premier acheteur au détail ou son représentant autorisé (installateur, etc.). En ce qui concerne les acheteurs commerciaux, la période de garantie est d'un (1) an à compter de la date de réception du produit par le premier acheteur commercial ou son représentant autorisé (installateur, etc.). Les piles ne sont pas couvertes par la garantie.

**Module d'alimentation d'interrupteur pneumatique:** Le module d'alimentation électronique des interrupteurs pneumatiques Brizo® acheté auprès de vendeurs Brizo autorisés est protégé contre les défauts du matériel et les vices de fabrication par une garantie consentie au premier acheteur au détail qui est d'une durée de deux (2) ans à compter de la date de réception du produit par le premier acheteur au détail ou son représentant autorisé (installateur, etc.). En ce qui concerne les acheteurs commerciaux, la garantie est d'une durée d'un (1) an à compter de la date de réception du produit par le premier acheteur commercial ou son représentant autorisé (installateur, etc.).

**Ce que nous ferons:** Brizo Kitchen and Bath Company réparera ou remplacera gratuitement, pendant la période de garantie applicable (décrite ci-dessus), toute pièce ou tout fini qui présentera un défaut de matériel et/ou un vice de fabrication pour autant que le produit ait été installé, utilisé et entretenu normalement. Brizo Kitchen & Bath Company pourra, à son entière discrétion, utiliser des pièces ou des produits neufs, remis en état ou recourus pour effectuer la réparation ou le remplacement. S'il n'est pas utile de réparer ou de remplacer le produit, Brizo Kitchen & Bath Company pourra rembourser le prix d'achat en échange du produit retourné. **Il s'agit de vos seuls recours.**

**Ce qui n'est pas couvert:** Brizo Kitchen and Bath Company ne peut contrôler la qualité des produits Brizo vendus par des vendeurs non autorisés. Par conséquent, la présente garantie ne couvre pas les produits achetés auprès de vendeurs non autorisés, à moins que la loi n'interdise une telle limitation de la garantie (allez à [Brizo.com](http://Brizo.com) pour obtenir la liste de nos revendeurs en ligne autorisés).

La présente garantie ne couvre pas les frais de main-d'œuvre encourus par l'acheteur pour la réparation, le remplacement, l'installation ou la dépose du produit. Brizo Kitchen & Bath Company se dégage de toute responsabilité à l'égard de toute détérioration du produit résultant d'une usage raisonnable et de dommages causés par une utilisation à l'extérieur, un mauvais usage (y compris l'utilisation du produit à des fins autres que celles auxquelles il est destiné), le gel de l'eau, un usage abusif, la négligence ou l'utilisation d'une méthode d'assemblage, d'installation, de maintenance ou de réparation incorrecte ou inadéquate, y compris les dommages résultant du non-respect des instructions de nettoyage et d'entretien applicables. La présente garantie ne couvre pas non plus les composants non authentiques achetés par le consommateur ou un utilisateur commercial et installés dans un produit Brizo ainsi que tous les dommages résultant de la dépose ou d'une mauvaise installation des composants.

Brizo Kitchen and Bath Company vous recommande de confier tous les travaux d'installation et de réparation à un plombier professionnel. Nous vous recommandons également d'utiliser uniquement des pièces de rechange Brizo® authentiques.

**Ce que vous devez faire pour vous prévaloir de la garantie ou obtenir des pièces de rechange:** Vous pouvez présenter une réclamation en vertu de la garantie et obtenir des pièces de rechange en appelant au 1-877-345-BRIZO (2749) ou en communiquant avec nous à l'une des adresses postales ou des adresses de courriel indiquées ci-dessous (veuillez fournir le numéro de modèle, la date d'achat et la documentation attestant la date de réception du produit par le premier acheteur ou son représentant autorisé (installateur, etc.)).

**Aux États-Unis et au Mexique**  
Brizo Kitchen and Bath Company  
55 E. 11th Street  
Indianapolis, IN 46280  
Attention: Warranty Service  
<https://www.brizo.com/customer-support/contact-us>

**Au Canada:**  
Masco Canada Limited, Groupe plomberie  
Centre de services techniques  
350, chemin South Edgeware  
St. Thomas (Ontario) Canada N5P 4L1  
<https://www.brizo.com/customer-support/contact-us>

La preuve d'achat (original du reçu montrant la date d'achat) et la documentation attestant la date de réception du produit par le premier acheteur ou son représentant autorisé (installateur, etc.) doivent être présentées à Brizo Kitchen & Bath Company pour toutes les réclamations en vertu de la garantie, sauf si le produit a été enregistré auprès de Brizo Kitchen & Bath Company. La présente garantie s'applique uniquement aux robinets Brizo® installés aux États-Unis d'Amérique, au Canada et au Mexique.

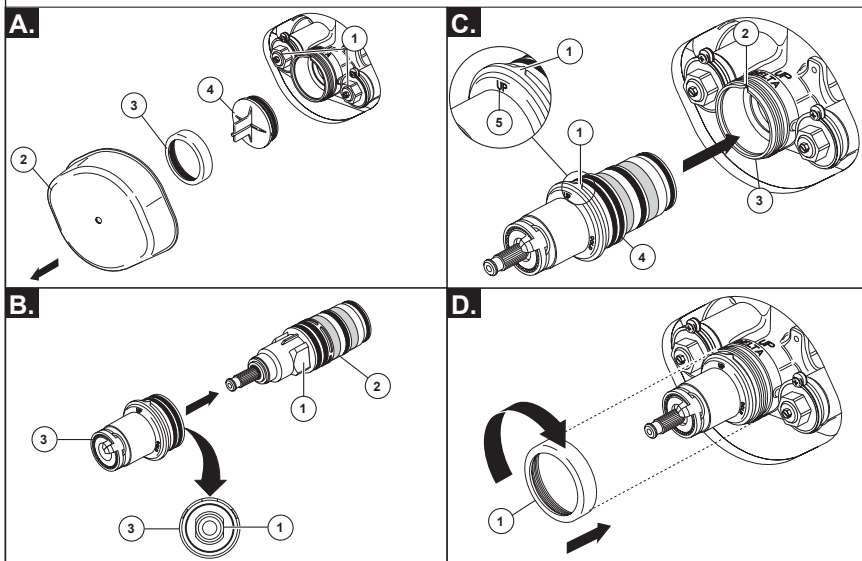
**Limitation de la durée des garanties implicites:** Veuillez noter qu'il est interdit, dans certains États ou certaines provinces (y compris le Québec), de limiter la durée d'une garantie implicite. Par conséquent, les limitations mentionnées ci-dessous peuvent ne pas s'appliquer à vous. Par conséquent, les limites mentionnées ci-dessous peuvent ne pas s'appliquer à vous. **DANS LA MESURE DE CE QUI EST PERMIS PAR LA LOI APPLICABLE, TOUTES LES GARANTIES IMPLICITES, Y COMPRIS LES GARANTIES IMPLICITES DE QUALITÉ MARCHANDE ET D'ADÉQUATION À UN USAGE PARTICULIER, SE LIMITENT À LA PÉRIODE FIXÉE PAR LA LOI OU À LA DURÉE DE LA PRÉSENTE GARANTIE, LA PLUS COURTE DES DEUX PÉRIODES S'APPLIQUANT.**

**Limitation des dommages particuliers, consécutifs ou indirects:** Veuillez noter qu'il est interdit dans certains États ou certaines provinces (y compris le Québec) d'exclure ou de limiter les dommages particuliers, consécutifs ou indirects. Par conséquent, les exclusions et les limitations mentionnées ci-dessous peuvent ne pas s'appliquer à vous. **DANS LA MESURE DE CE QUI EST PERMIS PAR LA LOI APPLICABLE, BRIZO KITCHEN & BATH COMPANY SE DÉGAGE DE TOUTE RESPONSABILITÉ À L'ÉGARD DES DOMMAGES PARTICULIERS, CONSÉCUTIFS OU INDIRECTS (Y COMPRIS LES FRAIS DE MAIN-D'ŒUVRE POUR LA RÉPARATION, LE REMPLACEMENT, L'INSTALLATION OU LA DÉPOSE DU PRODUIT), PEU IMPORTÉ QU'ILS DÉCOULENT D'UNE RUPTURE D'UNE GARANTIE IMPLICITE OU EXPLICITE, D'UNE RUPTURE DE CONTRAT, D'UN DÉLIT CIVIL OU D'UNE AUTRE CAUSE. BRIZO KITCHEN & BATH COMPANY SE DÉGAGE DE TOUTE RESPONSABILITÉ À L'ÉGARD DE TOUTE DÉTÉRIORATION DU ROBINET RÉSULTANT D'UNE USURE RAISONNABLE ET DES DOMMAGES CAUSÉS PAR UNE UTILISATION À L'EXTÉRIEUR, UN MAUVAIS USAGE (Y COMPRIS L'UTILISATION DU PRODUIT À DES FINS AUTRES QUE CELLES AUXQUELLES IL EST DESTINÉ), LE GEL DE L'EAU, UN USAGE ABUSIF, LA NÉGLIGENCE OU L'UTILISATION D'UNE MÉTHODE D'ASSEMBLAGE, D'INSTALLATION, DE MAINTENANCE OU DE RÉPARATION INCORRECTE OU INADÉQUATE, Y COMPRIS LES DOMMAGES RÉSULTANT DU NON-RESPECT DES INSTRUCTIONS D'INSTALLATION, DE NETTOYAGE ET D'ENTRETIEN APPLICABLES, ET CES DOMMAGES NE SONT PAS COUVERTS PAR LA GARANTIE.** Avis à l'intention des résidents de l'État du New Jersey : Les dispositions de la présente garantie, y compris ses limites, s'appliquent dans toute la mesure permise par les lois de l'État du New Jersey.

**Droits supplémentaires:** La présente garantie vous procure des droits particuliers reconnus par la loi. Vous pouvez aussi avoir d'autres droits qui varient selon l'État ou la province. La présente garantie écrite est la seule garantie offerte par Brizo Kitchen & Bath Company et elle n'est pas transférable.

Si vous avez des questions ou des préoccupations concernant notre garantie, veuillez communiquer avec nous de la manière indiquée ci-dessus ou visiter notre site Web à l'adresse [www.brizo.com](http://www.brizo.com).

# 1



**Note :** La plomberie brute pour la soupape thermostatique Sensori® doit être installée avant la finition.

**A.** Coupez l'arrivée d'eau des arrêts de force ou de butées (1). Enlevez le protecteur (2), l'écrou-chapeau (3) et le capuchon d'essai (4) du corps.

**B.** Assurez-vous que le joint torique (sur certains modèles) ou la bague de friction (4) se trouve sur la tige de soupape (1).

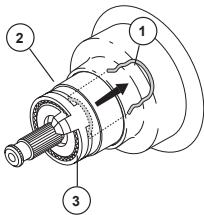
Localisez les méplats (1) sur la cartouche (2) et à l'intérieur du manchon (3). Faites correspondre les méplats et introduisez la cartouche dans le manchon en prenant soin de ne pas pousser sur l'élément en cuivre à l'extrémité de la cartouche.

**C.** Localisez le « V » (1) sur le manchon de la cartouche et l'encoche en « V » (2) sur le corps de soupape (3). Faites correspondre les « V », puis introduisez le manchon avec la cartouche (4) dans le corps de soupape (3) en exerçant une pression et notez « UP » de la position (5).

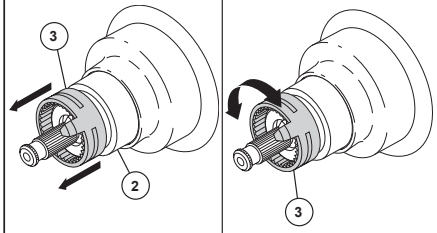
**D.** Glissez l'écrou-chapeau (1) sur la cartouche et vissez-le sur le corps. Serrez-le à la main solidement.

# 2

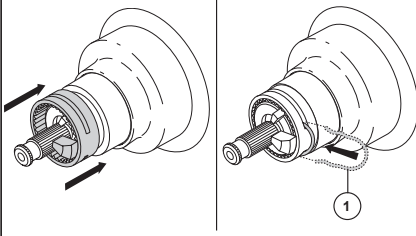
**A.**



**B.**



**C.**



## IMPORTANT :

La butée de température maximale sert à limiter la quantité d'eau chaude disponible de sorte que la personne dans la douche ne risque pas de s'ébouillanter si elle tourne accidentellement la manette jusqu'à l'extrémité de la plage d'eau chaude. La première position est celle qui laisse passer LE MOINS d'eau chaude à mélanger avec l'eau froide. À la première position, l'eau sera aussi froide que possible si la manette est amenée à l'extrême limite de la position d'eau chaude. À mesure que vous tournez la butée de température dans le sens antihoraire, vous ajoutez de plus en plus d'eau chaude dans le mélange. La position à l'extrême gauche est celle qui autorise le plus d'eau chaude dans le mélange et c'est celle qui pose le plus grand risque d'ébouillante si la personne dans la douche tourne accidentellement la manette jusqu'à l'extrême limite de la position d'eau chaude.

**MISE EN GARDE :** Dans certaines circonstances, si la butée de température a été réglée à la position la plus chaude (à l'extrémité de la plage dans le sens antihoraire), l'ébouillement est possible. Il est essentiel de régler la butée de température maximale de manière que l'utilisateur ne risque pas de s'ébouillanter s'il tourne la manette du robinet à fond vers la position d'eau chaude.

• Selon la majorité des normes en vigueur dans l'industrie, la température de l'eau à la sortie du robinet ne doit pas dépasser 120 °F (le code de plomberie de votre localité peut exiger une température inférieure).

• Faites couler l'eau jusqu'à ce qu'elle soit aussi froide que possible. Placez ensuite la manette sur la tige et tournez la manette dans le sens horaire jusqu'à ce qu'elle s'arrête.

• Placez un thermomètre dans un gobelet en plastique et mettez le gobelet sous le jet d'eau. Si la température de l'eau est supérieure à 120 °F, tournez la butée de température maximale dans le sens antihoraire pour amener l'eau à la sortie du robinet à moins de 120 °F ou à une température conforme aux exigences du code de plomberie de votre localité.

• Pour régler la température de l'eau à la sortie du robinet :

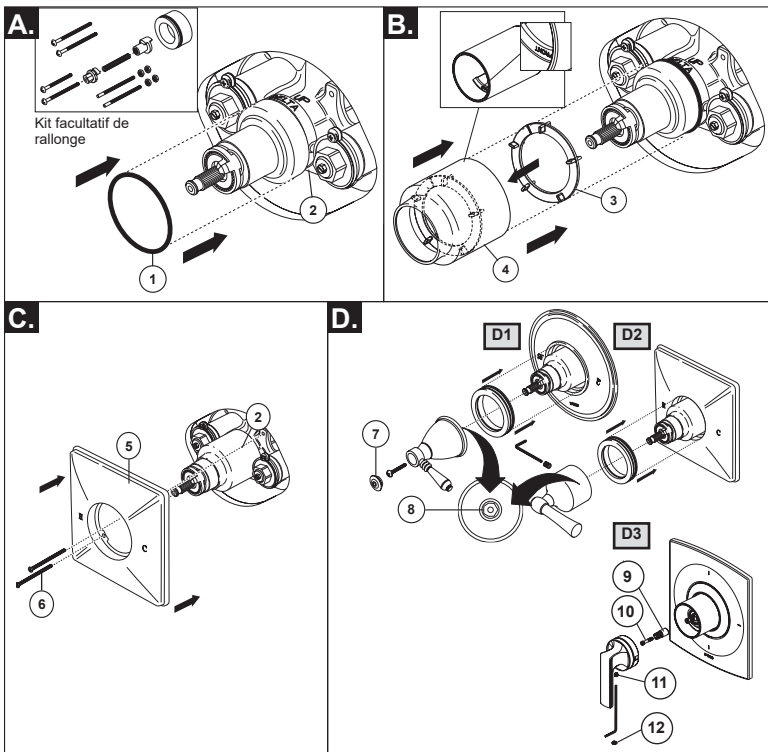
**A.** Retirez l'agrafe (1) du manchon (2) et de la butée de température maximale (3).

**B.** Notez la position de la butée de température maximale (3). Tirez sur la butée de température maximale afin de la faire sortir du manchon (2) assez pour pouvoir la tourner. Tournez-la dans le sens horaire pour diminuer la température de l'eau à la sortie du robinet et dans le sens antihoraire pour accroître la température.

**C.** Une fois que l'eau à la sortie du robinet se trouve à la température voulue, poussez la butée de température maximale sur le manchon pour pouvoir reposer l'agrafe (1). Assurez-vous que l'agrafe est bien fixée au manchon. Remettez la manette en place sur la tige de la soupape.

• ASSUREZ-VOUS QUE L'EAU FROIDE S'ÉCOULE DU ROBINET EN PREMIER. ASSUREZ-VOUS QUE L'EAU QUI S'ÉCOULE DU ROBINET À LA POSITION LA PLUS CHAUDE NE DÉPASSE PAS 120 °F OU LE MAXIMUM AUTORISÉ PAR LE CODE DE PLOMBERIE DE VOTRE LOCALITÉ.

3



**A.** Glissez le joint torique (1) sur la cartouche et l'écrou-chapeau (2). Le joint torique, qui sert de pièce d'espacement pour stabiliser le manchon, doit se trouver derrière l'écrou-chapeau. **Note : Selon l'endroit de le corps de robinet dans le mur et le mur l'épaisseur, un kit facultatif de rallonge peut fournir un 1 3/4 po additionnel ; de l'épaisseur de paroi. Pour obtenir la référence des pièces de rechange, visitez [www.brizo.com](http://www.brizo.com).**

**B.** Si votre modèle nécessite une pièce d'espacement (1), installez-la dans le manchon (2). Glissez le manchon sur la cartouche, le corps et le joint torique. Assurez-vous que le manchon est bien positionné sur l'avant de la cartouche.

**C.** Fixez la plaque de finition (5) au support (2) avec les 2 vis fournies (6). Prenez garde de trop serrer les vis.

**D. D1: Manette avec vis axiale**

Retirez le bouton (7) de la manette (s'il est déjà en place) en le tirant directement vers le haut. Certains anciens modèles ont une pièce rapportée en plastique (8) au fond de la manette, à l'intérieur de celle-ci. Pour ces modèles, assurez-vous que la pièce rapportée en plastique se trouve à l'intérieur de la manette.

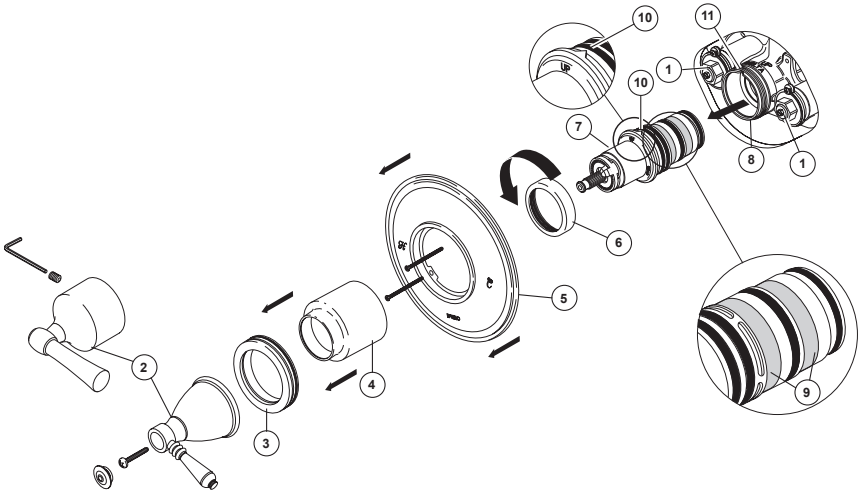
Assurez-vous que le robinet est entièrement à la position d'eau froide (vers la droite) et, s'il s'agit d'une manette-levier, alignez le levier avec la position d'eau froide sur la plaque de finition. Calez ensuite la manette sur la tige en exerçant une pression, puis en serrant la vis fournie. Remplacez le bouton dans la partie supérieure de la manette en exerçant une pression sur celui-ci.

**D2: Manette avec vis latérale**

Sur certains anciens modèles, il y a une pièce rapportée en plastique (8) au fond de la manette. Sur ces modèles, assurez-vous que la pièce rapportée se trouve à l'intérieur de la manette. Assurez-vous que la soupape est complètement à la position d'eau froide et, s'il s'agit d'une manette-levier, alignez le levier avec la position d'eau froide sur la plaque de finition. Calez ensuite la manette sur la tige de soupape en exerçant une pression, puis en serrant la vis fournie installez le capuchon de la vis de calage (s'il est inclus).

**D3: Manette avec rallonge de tige**

Montez la rallonge de tige (9) sur la tige de la soupape et fixez-la avec la vis (10). Glissez la manette sur la rallonge de tige et serrez la vis de calage (11). Introduisez le bouton (12) dans le trou et enfoncez-le jusqu'à ce qu'il soit bien calé.



## Entretien

Si vous constatez une réduction du débit ou une fluctuation de la température de l'eau à la sortie du robinet, les filtres métalliques de la cartouche peuvent devoir être nettoyés. Pour nettoyer les filtres de la cartouche, coupez l'eau de la valve principale ou des arrêts (1). Enlevez la manette (2), l'anneau de garniture (3), le manchon (4) et plaque de finition (5) (si utilisant des arrêts) puis dévissez l'écrou-chapeau (6). Extrayez doucement la cartouche (7) du corps de soupape (8). À l'aide d'un pinceau ou avec de l'eau, enlevez les corps étrangers qui se trouvent sur les filtres (9). Après avoir nettoyé les filtres, remplacez la cartouche et le manchon dans le corps de soupape en prenant soin de faire correspondre les « V » sur le manchon et les rainures en « V » sur le corps de soupape. Immobilisez la cartouche et le manchon en vissant le chapeau solidement sur le corps de soupape. Remettez les éléments restants en place.

## Instructions De Nettoyage

Il faut le nettoyer avec soin. Même si son fini est extrêmement durable, il peut être abîmé par des produits fortement abrasifs ou des produits de polissage. Il faut simplement le frotter doucement avec un chiffon humide et le sécher à l'aide d'un chiffon doux.

# Notes / Notas / Notes

# Notes / Notas / Notes