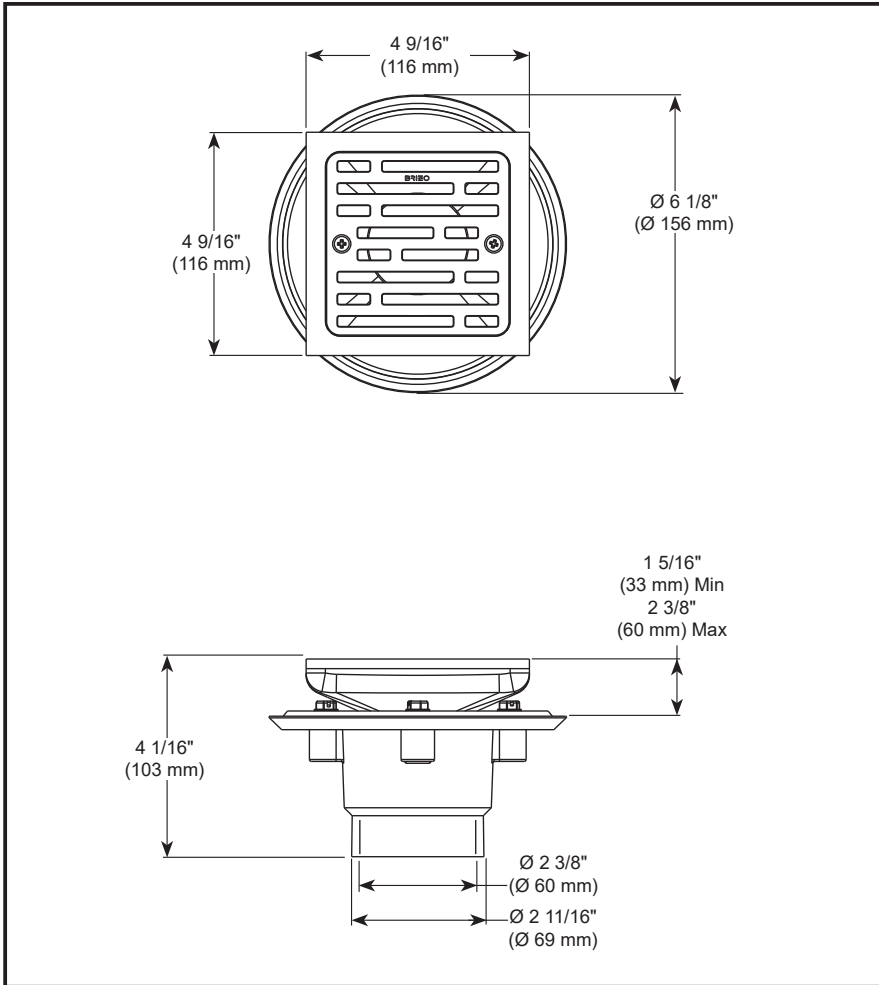


BT062415-▲



▲ Designate proper finish suffix

# BRIZO®

## ACCESSORIES

### ■ 4" Tile-in Square Shower Drain

#### STANDARD SPECIFICATIONS:

- PVC and brass construction
- Upper body is adjustable to allow for easy height adjustment
- For use with tile installations
- Removable strainer grate
- 2" PVC pipe connection

#### WARRANTY

- Parts and Finish – Lifetime limited warranty; or for commercial purchasers, 10 years for multi-family residential (apartments and condominiums) and 5 years for all other commercial uses, in each case from the date the product is received by the original purchaser or their authorized representative (installation contractor, etc.).
- Please go to [www.brizo.com](http://www.brizo.com) for the complete details of our limited warranty.

#### COMPLIES WITH:

- ASME A112.18.2 / CSA B125.2

Brizo Kitchen & Bath Company reserves the right (1) to make changes in specifications and materials, and (2) to change or discontinue models, both without notice or obligation. Dimensions are for reference only. See current full-line price book or [www.brizo.com](http://www.brizo.com) for finish options and product availability.

**Brizo Kitchen & Bath Company**  
 55 E. 111th Street, Carmel, Indiana 46280  
 350 South Edgeware Road, St. Thomas, ON N5P 4L1  
 © 2025 Brizo Kitchen & Bath Company