

R35000-WS

# BRIZO®

## SENSORI® CUSTOM SHOWER ROUGH VALVE BODY

- R35000-WS
- Thermostatic Temperature Control
- Rough 3/4" Rough-In

### STANDARD SPECIFICATIONS:

- Forged brass body.
- Can be tested with air (200 PSI) or water (300 PSI) without valve, using supplied test cap.
- For use with Sensori® thermostatic trim.
- Cartridge ships with trim.
- Includes stops.

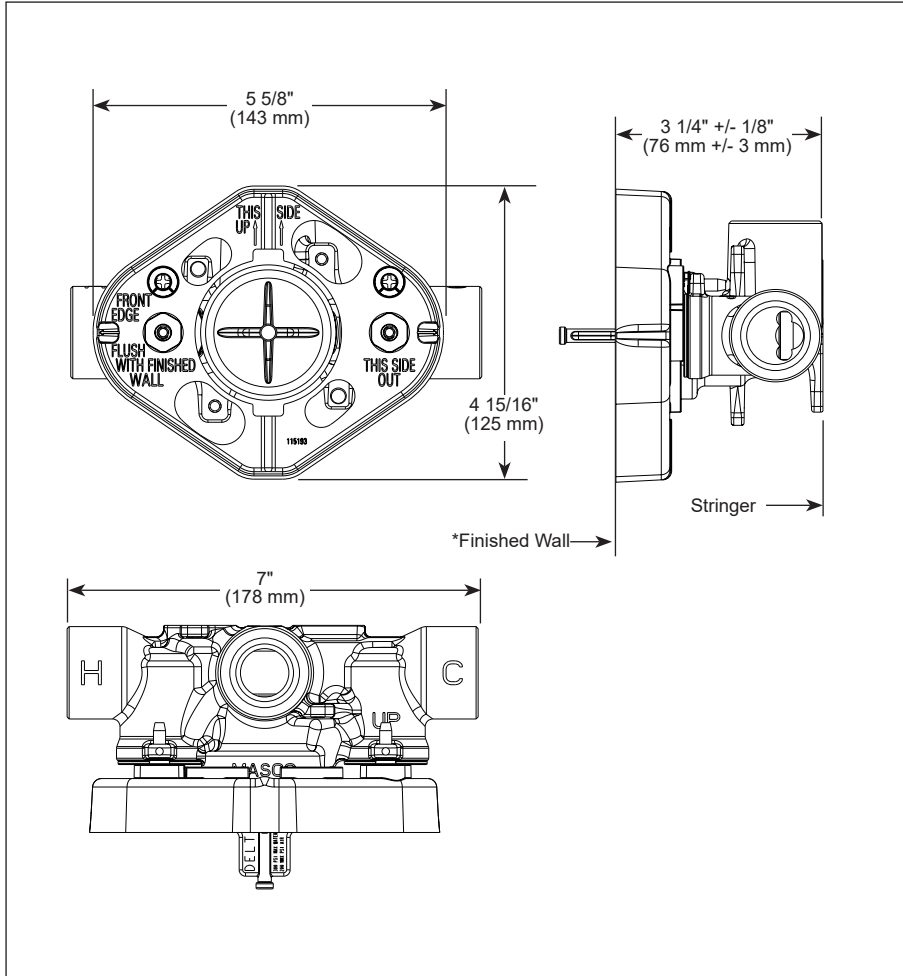
**WARNING: No back to back installation is allowed with this product.**

### WARRANTY

- Parts and Finish – Lifetime limited warranty; or for commercial purchasers, 10 years for multi-family residential (apartments and condominiums) and 5 years for all other commercial uses, in each case from the date the product is received by the original purchaser or their authorized representative (installation contractor, etc.).
- Please go to [www.brizo.com](http://www.brizo.com) for the complete details of our limited warranty.

### COMPLIES WITH:

- ASME A112.18.1 / CSA B125.1



### Extension kits available

Visit our website at [www.brizo.com](http://www.brizo.com) for specification sheet for trim model to identify appropriate RP.