

# BRIZO®

## HAND SHOWER

- Levoir® Bath Collection
- 4-Spray Setting Hand Shower

### FEATURES:

- Touch-Clean® Spray Holes
- H<sub>2</sub>Okinetic® Technology

### STANDARD SPECIFICATIONS:

- Max flow rate 1.75 gpm @ 80 psi, 6.6 L/min @ 550 kPa
- Certified dual check valves for backflow prevention
- 4 Spray Settings: Full Spray, Massage, H<sub>2</sub>Okinetic® Rinsing Spray & Pause. Pause is a non-positive shut-off.
- ADA compliant hand shower when installed per accessibility guidelines of the act

### WARRANTY

- Parts and Finish - Lifetime limited warranty; or for commercial purchasers, 10 years for multi-family residential (apartments and condominiums) and 5 years for all other commercial uses, in each case from the date the product is received by the original purchaser or their authorized representative (installation contractor, etc.).
- Please go to [www.brizo.com](http://www.brizo.com) for the complete details of our limited warranty.

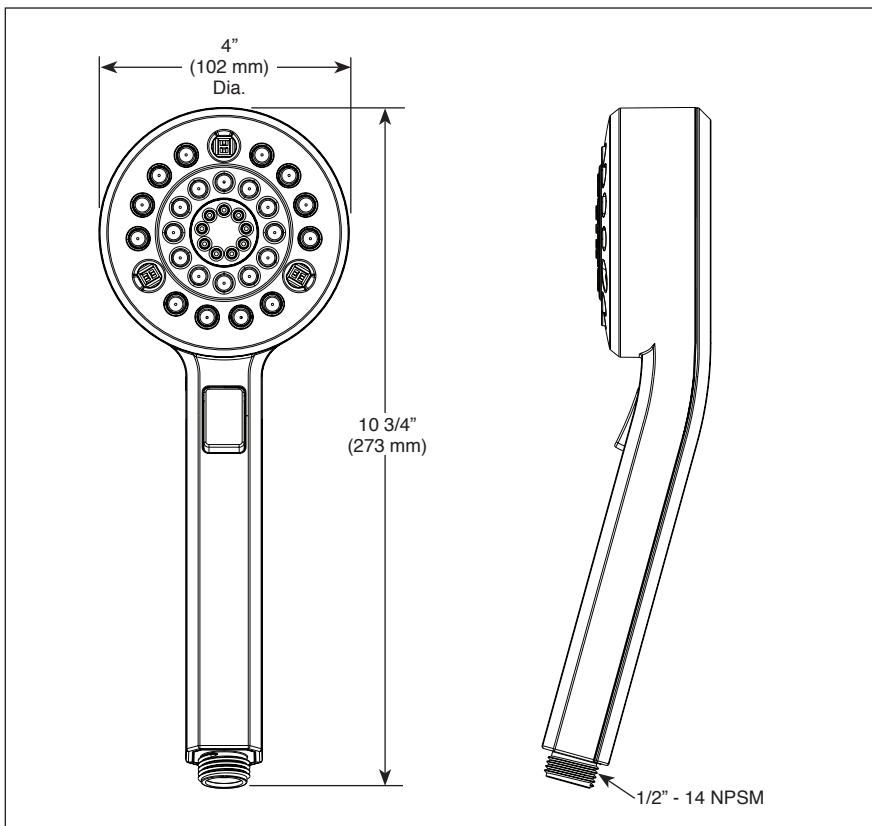
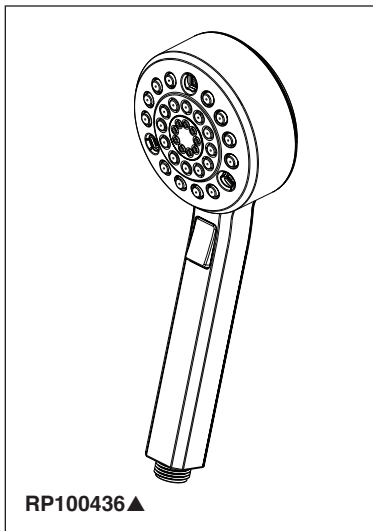


### COMPLIES WITH:

- ASME A112.18.1 / CSA B125.1♦
- EPA WaterSense®

♿ ICC/ANSI A117.1

- ♦ Your Brizo hand shower incorporates a backflow protection system that has been tested to be in compliance with ASME A112.18.3 and ASME A112.18.1/CSA B125.1. It incorporates two certified check valves in series, which operate independently and are integral, non-serviceable parts of the wand assembly.



▲ Designate proper finish suffix

Brizo Kitchen & Bath Company reserves the right (1) to make changes in specifications and materials, and (2) to change or discontinue models, both without notice or obligation. Dimensions are for reference only. See current full-line price book or [www.brizo.com](http://www.brizo.com) for finish options and product availability.

BSP-B-RP100436 Rev. B

### Brizo Kitchen & Bath Faucet Company

55 E. 111th Street, Carmel, IN 46280  
350 South Edgeware Road, St. Thomas, ON N5P 4L1  
© 2025 Brizo Kitchen & Bath Faucet Company