

BRIZO®

WALL MOUNT HAND SHOWER

- Vesi® Bath Collection
- Single Setting Hand Shower

STANDARD SPECIFICATIONS:

- Max flow rate 1.75 gpm @ 80 psi, 7.6 L/min @ 550 kPa
- 60" - 82" (1524 mm - 2083 mm) stretchable finished metal hose
- Includes hand shower, hose and wall mounting
- Integral backflow protection
- Certified dual check valves for backflow prevention
- Spray setting include: Full Body Spray

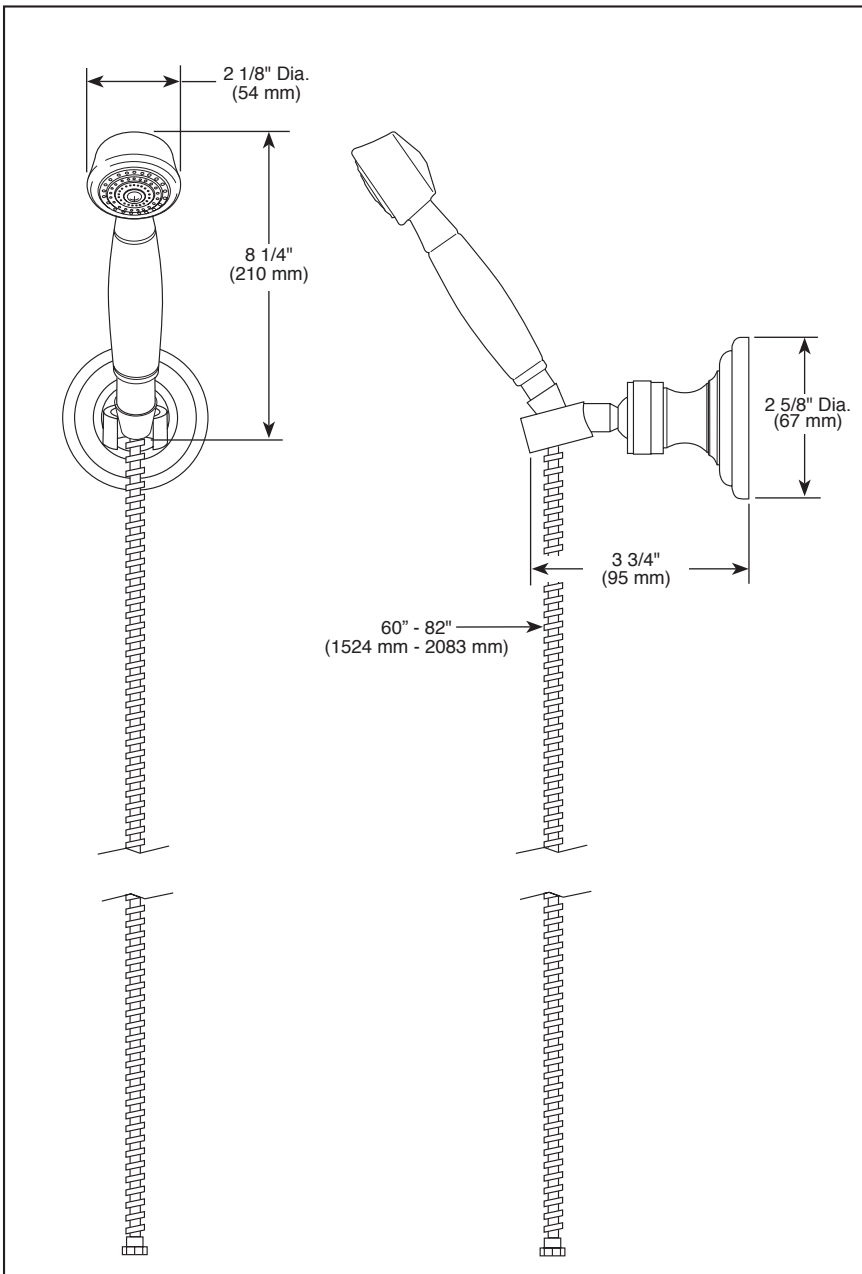
WARRANTY

- Parts and Finish - Lifetime limited warranty; or for commercial purchasers, 10 years for multi-family residential (apartments and condominiums) and 5 years for all other commercial uses, in each case from the date the product is received by the original purchaser or their authorized representative (installation contractor, etc.).
- Please go to www.brizo.com for the complete details of our limited warranty.



COMPLIES WITH:

- ASME A112.18.1 / CSA B125.1◆
- EPA WaterSense®
- ◆ Your Brizo hand shower incorporates a backflow protection system that has been tested to be in compliance with ASME A112.18.3 and ASME A112.18.1/CSA B125.1. It incorporates two certified check valves in series, which operate independently and are integral, non-serviceable parts of the wand assembly.



▲ Designate Proper Finish Suffix

Brizo Kitchen & Bath Company reserves the right (1) to make changes in specifications and materials, and (2) to change or discontinue models, both without notice or obligation. Dimensions are for reference only. See current full-line price book or www.brizo.com for finish options and product availability.

BSP-B-RP41202 Rev. H

Brizo Kitchen & Bath Faucet Company

55 E. 111th Street, Carmel, IN 46280
 350 South Edgeware Road, St. Thomas, ON N5P 4L1
 © 2025 Brizo Kitchen & Bath Faucet Company