

BRIZO®

PRESSURE BALANCE SHOWER TRIM

- Atavis™ Collection
- Valve Only (T60P042)
- Shower Only (T60P242)

FEATURES:

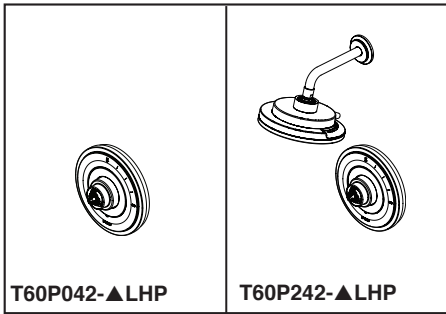
- Monitor® 14 series pressure balanced bath mixing valve

STANDARD SPECIFICATIONS:

- H₂Okinetic® 4-function showerhead - 1.75 gpm @ 80 psi, 6.6 L/min @ 550 kPa
- Maintains a balanced pressure of hot and cold water even when a valve is turned on or off elsewhere in the system
- For use with MultiChoice® Universal rough valve body (R60000 Series)
- Back-to-back installation capability
- Solid brass fabricated body
- Temperature and volume controlled with handle
- Red/Blue temperature indicator markings
- Field adjustable to limit handle rotation into hot water zone
- 120° maximum handle rotation
- All parts replaceable from the front of the valve
- Adjusts for up to 1" wall thickness. Optional extension kit (RP81665) extends rough installation up to 1 3/4"
- Available collection matching shower arm RP100762▲

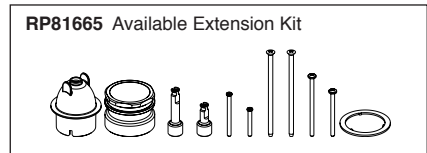
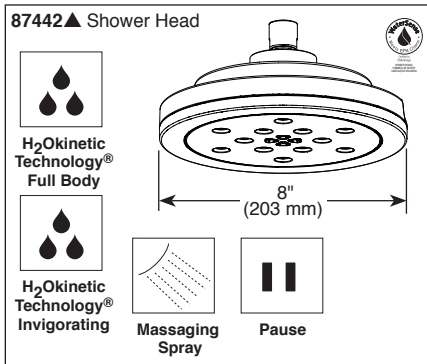
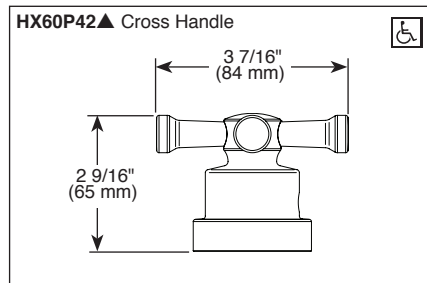
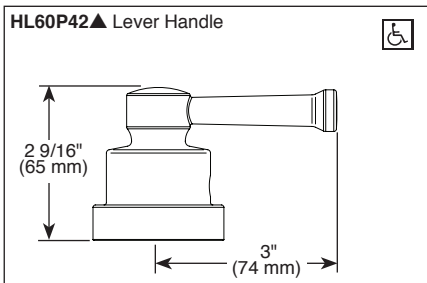
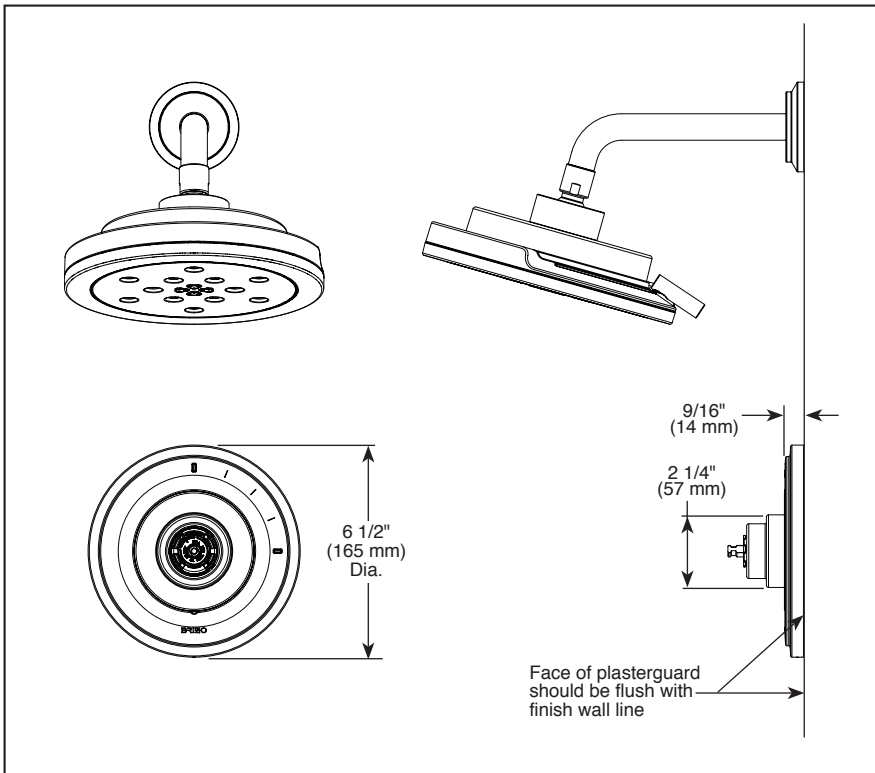
WARRANTY

- Parts and Finish - Lifetime limited warranty; or for commercial purchasers, 10 years for multi-family residential (apartments and condominiums) and 5 years for all other commercial uses, in each case from the date of purchase.
- Electronic Parts and Batteries (if applicable) - 5 years from the date of purchase; or for commercial purchasers, 1 year from the date of purchase. No warranty is provided on batteries.



Submitted Model No.: _____

Specific Features: _____



▲ Designate proper finish suffix



COMPLIES WITH:

- ASME A112.18.1 / CSA B125.1
- ASSE 1016
- ☑ Indicates compliance to ICC/ANSI A117.1 - Valve control only
- EPA WaterSense® - Applies to T60P242-LHP only

Brizo Kitchen & Bath Company reserves the right (1) to make changes in specifications and materials, and (2) to change or discontinue models, both without notice or obligation. Dimensions are for reference only. See current full-line price book or www.brizo.com for finish options and product availability.