

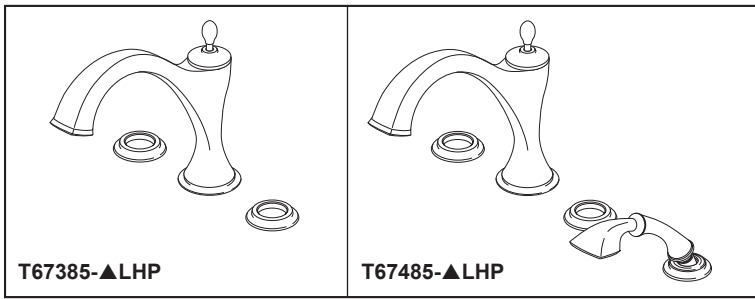
BRIZO®

ROMAN TUB FAUCET

■ Charlotte™ Bath Collection

■ Three Hole Installation (T67385-LHP)

■ Four Hole Installation (T67485-LHP)



T67385-▲LHP

T67485-▲LHP

STANDARD SPECIFICATIONS:

- Hand shower max flow rate 1.75 gpm @ 80 psi, 6.6 L/min @ 550 kPa
- Three or four hole mount
- Trim Only for two handle Roman Tub faucet for concealed mounting
- Temperature and volume controlled with handles
- Rough-In kit must also be ordered to complete installation (R64707 for four hole and R62707 for three hole). There are separate specification sheets on each rough-in kit if more details are required.
- Hand shower includes double check valves for backflow prevention (T67485-▲LHP)
- Accommodates up to 2 1/2" deck thickness
- 60" - 82" (1524 mm - 2083 mm) stretchable finished metal hose
- LHP - Less Handle Program. See handle options below

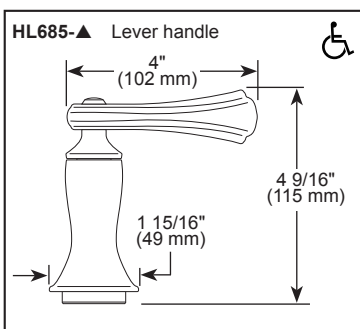
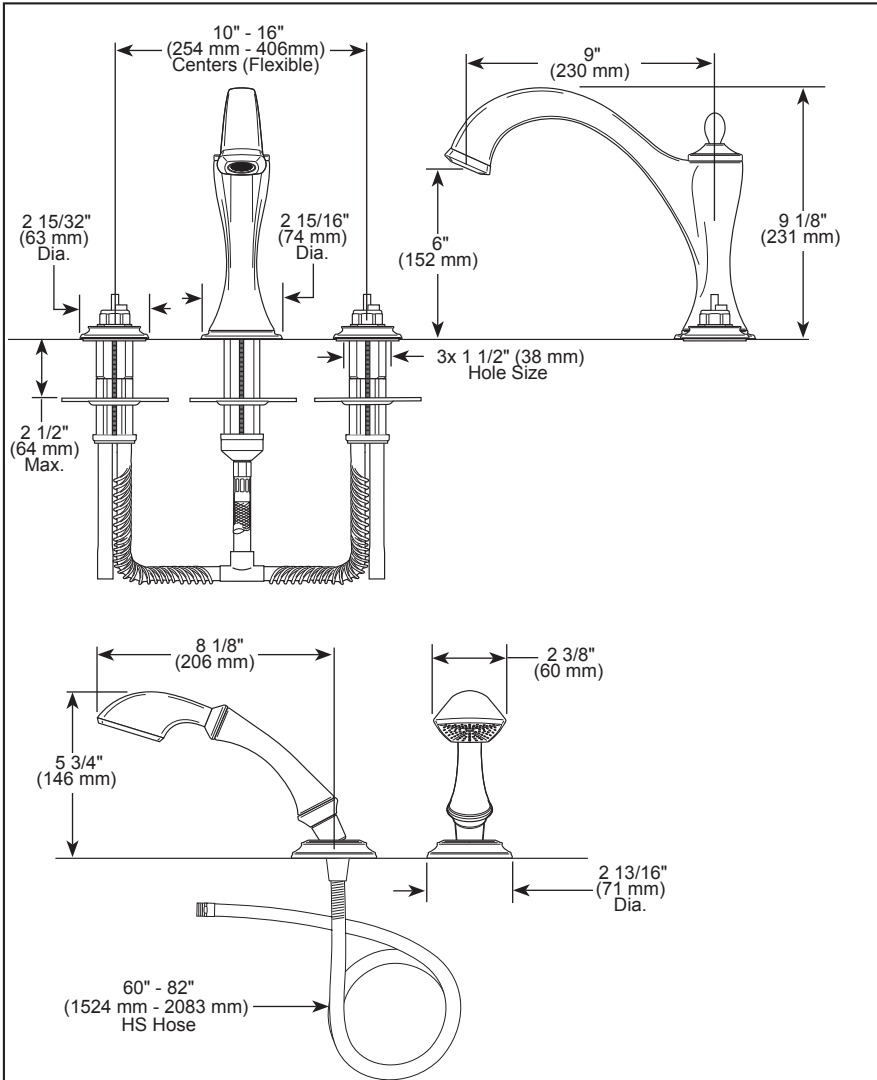
WARRANTY

- Parts and Finish - Lifetime limited warranty; or for commercial purchasers, 10 years for multi-family residential (apartments and condominiums) and 5 years for all other commercial uses, in each case from the date the product is received by the original purchaser or their authorized representative (installation contractor, etc.).
- Please go to www.brizo.com for the complete details of our limited warranty.



COMPLIES WITH:

- ASME A112.18.1 / CSA B125.1
- EPA WaterSense® - Applies to T67485-▲LHP only
- ♿ ICC/ANSI A117.1- Valve control only



▲ Designate proper finish suffix

Brizo Kitchen & Bath Company reserves the right (1) to make changes in specifications and materials, and (2) to change or discontinue models, both without notice or obligation. Dimensions are for reference only. See current full-line price book or www.brizo.com for finish options and product availability.

BSP-B-T67385-LHP Rev. I

Brizo Kitchen & Bath Faucet Company

55 E. 111th Street, Carmel, IN 46280
 350 South Edgeware Road, St. Thomas, ON N5P 4L1
 © 2025 Brizo Kitchen & Bath Faucet Company