

BRIZO®

BAR SINK FAUCETS

- Artesso® Collection
- Single Handle Deck Mount
- Single Hole Installation

STANDARD SPECIFICATIONS:

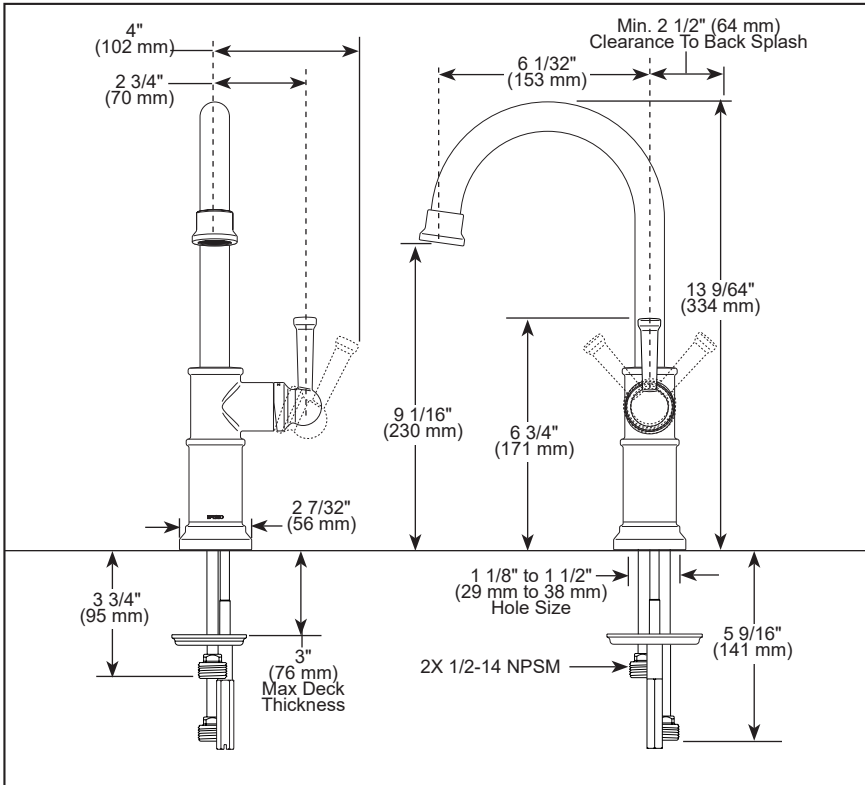
- Max flow rate 1.8 gpm @ 60 PSI, 6.8 L/min @ 414 kPa
- Solid brass fabricated body
- 360° rotating spout
- Ceramic disc cartridge
- 3/8" staggered copper supply lines with 1/2" adapters
- Order RP75675▲ for optional coordinating soap dispenser

WARRANTY

- Parts and Finish - Lifetime limited warranty; or for commercial purchasers, 10 years for multi-family residential (apartments and condominiums) and 5 years for all other commercial uses, in each case from the date the product is received by the original purchaser or their authorized representative (installation contractor, etc.).
- Please go to www.Brizo.com for the complete details of our limited warranty.

COMPLIES WITH:

- ASME A112.18.1 / CSA B125.1
- NSF/ANSI/CAN 61 & 372
- ♿ ICC/ANSI A117.1



▲ Designate proper finish suffix