

BRIZO®

BATHROOM FAUCET

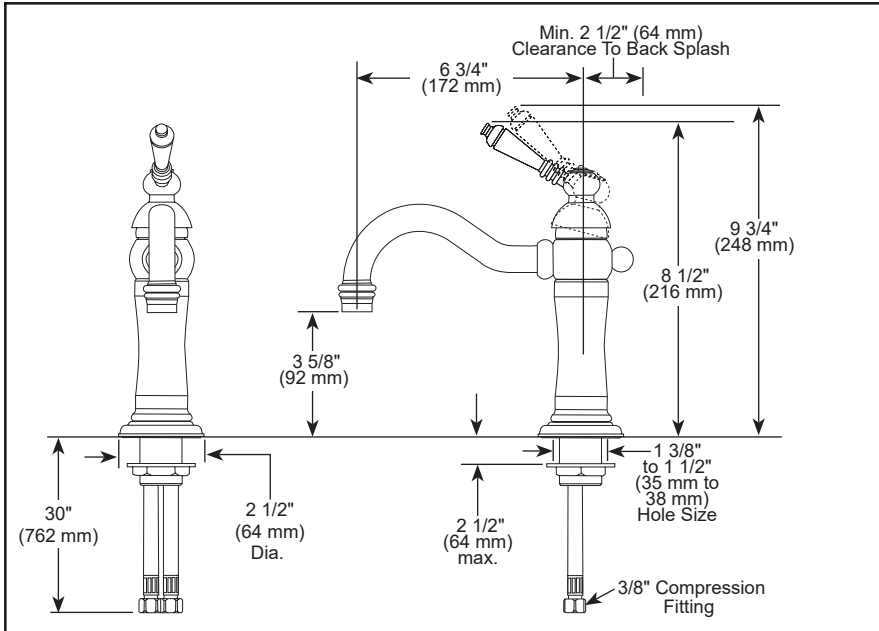
- Tresa® Bath Collection
- Single Handle Deck Mount







STANDARD SPECIFICATIONS:

- Max flow rate 1.5 gpm @ 60 psi, 5.7 L/min @ 414 kPa
- Max flow rate (ECO models only) 1.2 gpm @ 60 psi, 4.5 L/min @ 414 kPa
- Single hole mount
- Ceramic cartridge
- Solid brass fabricated body
- Drain sold separately

WARRANTY

- Parts and Finish - Lifetime limited warranty; or for commercial purchasers, 10 years for multi-family residential (apartments and condominiums) and 5 years for all other commercial uses, in each case from the date the product is received by the original purchaser or their authorized representative (installation contractor, etc.).
- Electronic Parts and Batteries (if applicable) - 5 years from the date the product is received by the original purchaser or their authorized representative (installation contractor, etc.); or for commercial purchasers, 1 year from the date the product is received by the original purchaser or their authorized representative (installation contractor, etc.). No warranty is provided on batteries.
- Please go to www.brizo.com for the complete details of our limited warranty.



<p>RP72411 ▲ Grid Strainer Drain less overflow holes</p> 	<p>RP72413 ▲ Push Button Drain less overflow holes</p> <p>2 3/4" (70 mm) Dia.</p> 	<p>RP81627 ▲ Push Button Drain less overflow holes</p> <p>1 5/8" (41 mm) Dia.</p> 
<p>RP72412 ▲ Grid Strainer Drain with overflow holes</p> 	<p>RP72414 ▲ Push Button Drain with overflow holes</p> <p>2 3/4" (70 mm) Dia.</p> 	<p>RP81628 ▲ Push Button Drain with overflow holes</p> <p>1 5/8" (41 mm) Dia.</p> 

▲ Designate proper finish suffix



COMPLIES WITH:

- ASME A112.18.1 / CSA B125.1
- ASME A112.18.2 / CSA B125.2
- EPA WaterSense®
- ICC/ANSI A117.1 - Valve control only

Brizo Kitchen & Bath Company
55 E. 111th Street, Carmel, IN 46280
350 South Edgeware Road, St. Thomas, ON N5P 4L1
© 2024 Brizo Kitchen & Bath Company