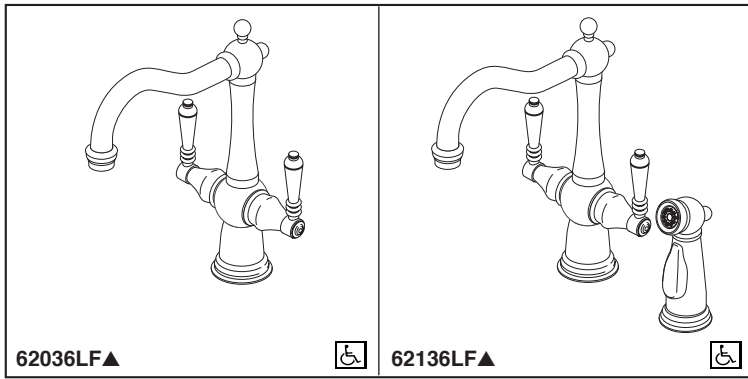


# BRIZO®

## KITCHEN FAUCETS

- Tresa® Kitchen Collection
- Two Handle Deck Mount
- Single Hole Mount



Submitted Model No.: \_\_\_\_\_  
 Specific Features: \_\_\_\_\_

### STANDARD SPECIFICATIONS:


- Two handle kitchen deck faucet.
- Solid brass fabricated body.
- 9" (229 mm) long spout.
- Accomodates up to 3" deck thickness.
- Ceramic disc valving.
- Control mechanism shall be of the rotating cylinder type with 90° rotation, with replaceable non-metallic seats, operating in stainless steel lined sockets.
- Maximum 1.80 gpm @ 60 psi, 6.8 L/min @ 414 kPa

### WARRANTY

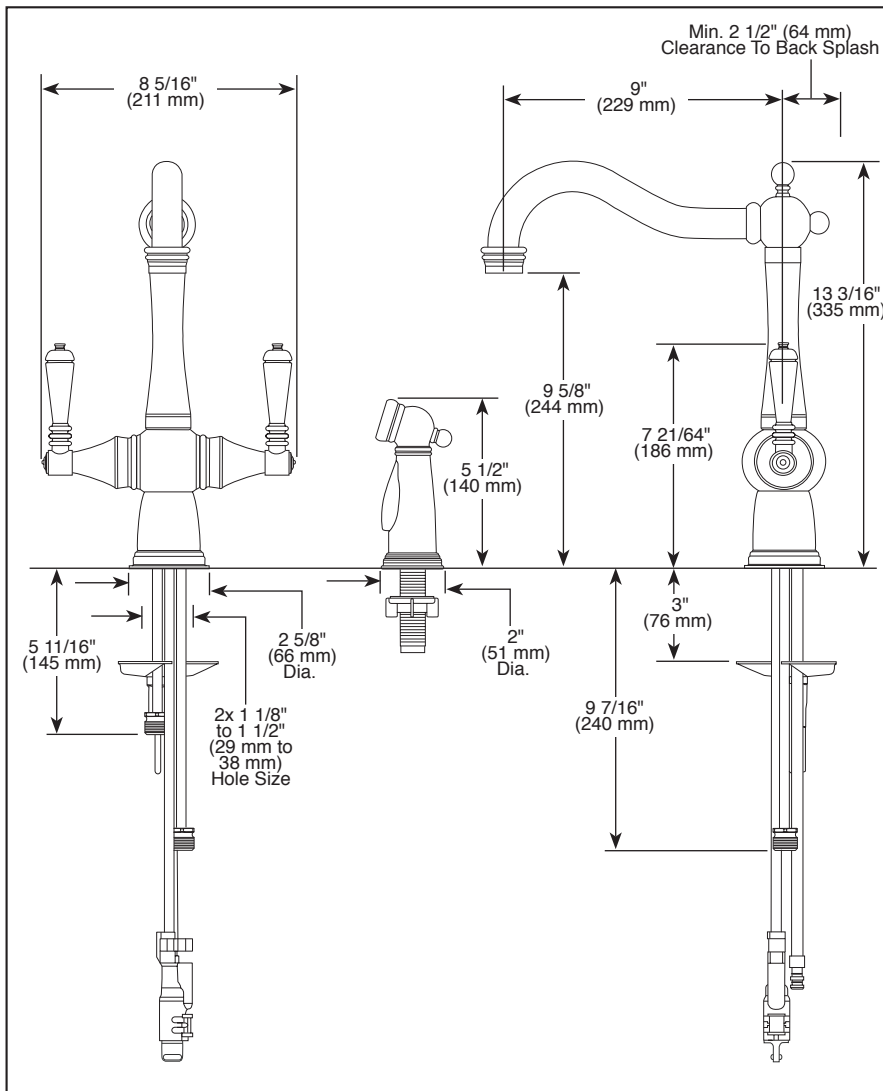
- Lifetime limited warranty on parts (other than electronic parts and batteries) and finishes: or, for commercial users, for 5 years from date of purchase.
- 5 year limited warranty on electronic parts (other than batteries); or, for commercial users, for 1 year from the date of purchase. No warranty is provided on batteries.

### COMPLIES WITH:

- ASME A112.18.1 / CSA B125.1

 Indicates compliance to ICC/ANSI A117.1

- Verified compliant with .25% weighted average Pb content regulations.



▲ Designate Proper Finish Suffix

Brizo Kitchen & Bath Company reserves the right (1) to make changes in specifications and materials, and (2) to change or discontinue models, both without notice or obligation. Dimensions are for reference only. See current full-line price book or www.brizo.com for finish options and product availability.

BSP-K-62036LF Rev. D

Brizo Kitchen & Bath Company  
 Indianapolis, Indiana 46280  
 A Division of Masco Corporation of Indiana  
 © 2015 Brizo Kitchen & Bath Company